



**Model number**

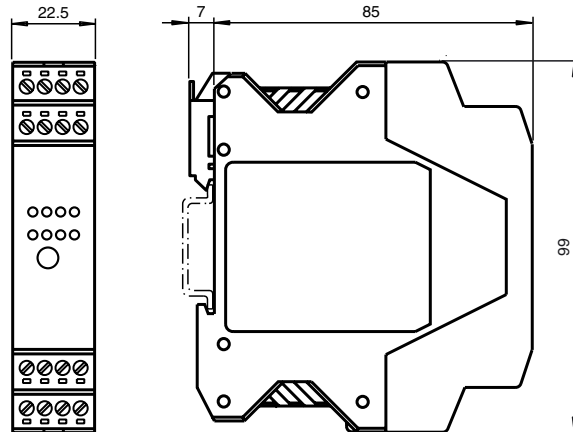
**VAN-KE2-2PE**

AS-Interface power extender

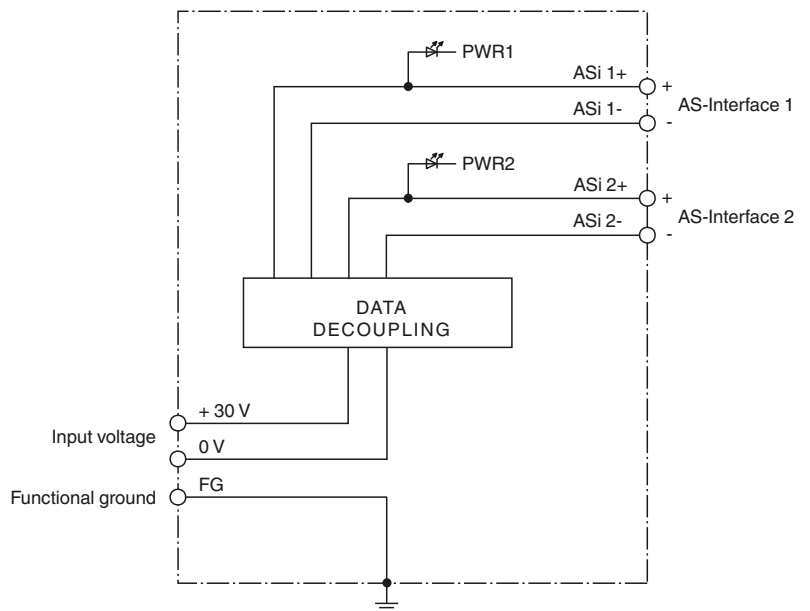
**Features**

- Up to 4 A output load
- Multiple AS-Interface networks can be operated through a single power stage
- Suitable for double master without data uncoupling
- Housing with removable terminals
- LEDs for display of AS-Interface voltage

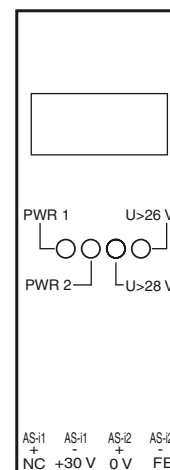
**Dimensions**



**Electrical connection**



**Indicating / Operating means**



Release date: 2011-07-13 10:45 Date of issue: 2014-01-13 203291\_Leng.xml

**Technical data****General specifications**

UL File Number	E223772
----------------	---------

**Indicators/operating means**

LED PWR	AS-Interface voltage; LED green
LED U AS-i	AS-Interface voltage on the output is displayed in two stages: AS-Interface voltage > 28 V; LED green AS-Interface voltage > 26 V; LED green

**Electrical specifications**

Insulation voltage	$U_i$	$\geq 500$ V
Rated operating voltage	$U_o$	30 V DC PELV

**Output**

Number/Type	2 AS-Interface circuits 1+2
Short-circuit protection/overload	6 A self resetting fuse
Rated current	4 A at 30 V DC
Voltage	29.5 ... 31.6 V DC

**Ambient conditions**

Ambient temperature	0 ... 55 °C (32 ... 131 °F)
Storage temperature	-25 ... 85 °C (-13 ... 185 °F)

**Mechanical specifications**

Protection degree	IP20
Connection	removable terminals, terminal connection $\leq 2.5$ mm <sup>2</sup>
Material	
Housing	PA 6 GF30
Mass	120 g
Mounting	DIN mounting rail

**Compliance with standards and directives**

Standard conformity	
Electromagnetic compatibility	EN 61000-6-2, EN 61000-6-4
Protection degree	EN 60529

**Function**

The AS-Interface Power Extender VAN-KE2-2PE is a mains part decoupling especially for applications with two AS interface circuits which are operated with one double master. The Power Extender facilitates the supply of both circuits with only one mains part. As a result of the data decoupling, a standard mains part with 30 V output voltage in compliance with the AS interface specification can be used instead of an AS interface mains part. AS Interface Master and Slaves can only be installed on the side facing away (AS interface output) from the mains part of the Power Extender.

Depending on the line resistance and current, a voltage drop between the mains part and the AS Interface Power Extender occurs. The AS Interface Power Extender shows the AS Interface voltage at the output with two luminous diodes in two stages (see Technical Data). As with all AS-Interface circuits, it is to be ensured that actuators are supplied with the permissible voltage tolerance of 24 V +10%/-15%. As a rule of thumb, the following applies for the AS Interface line length in connection with the AS Interface voltage:  
AS-Interface voltage > 28 V: approx. 80 m line length,  
AS-Interface voltage > 26 V: approx. 60 m line length.

The housing which is only 22.5 mm wide takes up little space in the switch cabinet. The module is mounted by snapping onto the 35 mm support rail in compliance with EN 50022. The connection is made using plug-gable screw terminals. This enables easy separation during commissioning or service.

**Note:**

There is one data decoupling per AS-Interface Power Extender located in the AS-Interface Power Extender for a maximum of 4 A current at 30 V AS-Interface voltage. Furthermore, the minus line of the mains part may not be earthed if there is a connection between the minus line and ground in the mains part.

**Accessories****VAR-KE3-TERM**

AS-Interface advanced repeater with terminator

**K17-STR-24..30VDC-5A**

Power supply, 24 to 30 V DC, 5 A

**K24-STR-24..30VDC-10A**

Power supply, 24 to 30 V DC, 10 A

**AS-Interface Power Calculator**

AS-Interface Power supply and network checking utility