


**ECOLAB**

### Model number

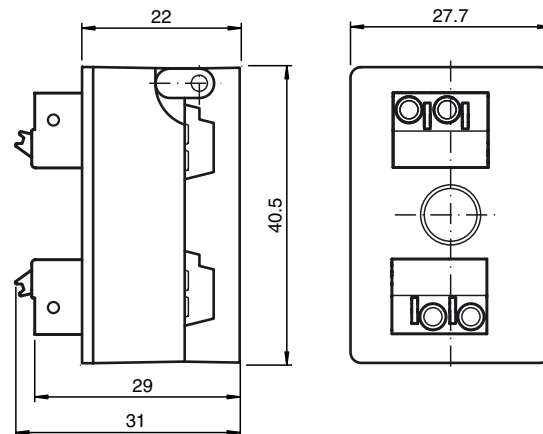
#### VAZ-2T1-FK-G10-CLAMP1

Splitter box G10, AS-Interface and auxiliary voltage each to double terminals

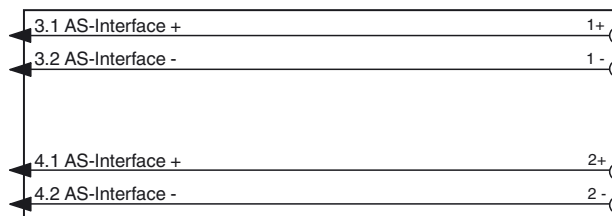
### Features

- One piece housing
- Simple and fast mounting
- High current rating
- Gold-plated and machined contacts

### Dimensions



### Electrical connection



### Technical data

#### General specifications

Construction type	Spring terminal flat cable terminals AS-Interface/auxiliary voltage
UL File Number	E223772

#### Electrical specifications

Rated operating voltage	$U_e$	$\leq 32$ V PELV ( AS-Interface , ext. auxiliary voltage AUX )
Rated operating current	$I_e$	$\leq 8$ A AS-Interface, $\leq 8$ A AUX
Protection class		III
Surge protection		overvoltage category III
Pulse withstand voltage		800 V

#### Ambient conditions

Ambient temperature	-25 ... 75 °C (-13 ... 167 °F)
Storage temperature	-25 ... 85 °C (-13 ... 185 °F)
Pollution Degree	2

#### Mechanical specifications

Protection degree	IP20
Connection	Flat cable AS-Interface: cable piercing method Flat cable ext. auxiliary voltage $U_{AUX}$ : Insulation penetration technology spring terminal
Material	
Contacts	CuSn / Au
Housing	PBT PC
Mounting screw	Stainless steel 1.4305 / AISI 303
Mass	40 g
Tightening torque, fastening screws	1.65 Nm

#### Compliance with standards and directives

Standard conformity	
Protection degree	EN 60529:2000

**Notes****Mounting instructions**

You may screw the device onto a level mounting surface using two M4 attachment screws. The attachment screws are not included.

