

BUILT-IN FUSE BASE WITH SIGNAL DETECTOR FOR CYLINDRICAL FUSES SIZE 14X51 MM 50 A, 2-POLE



Figure similar

Model

product brand name	SENTRON
--------------------	---------

General technical data

Number of poles	2
-----------------	---

Mechanical Design

Height	mm	90
Width	mm	54
Depth	mm	70

Certificates

Equipment marking		
<ul style="list-style-type: none"> • acc. to DIN EN 61346-2 • acc. to DIN EN 81346-2 	F	F

General Product Approval **Declaration of Conformity**



Further information

Information- and Downloadcenter (Catalogs, Brochures,...)
<http://www.siemens.com/lowvoltage/catalogs>

Industry Mall (Online ordering system)
<https://eb.automation.siemens.com/mall/en/WW/Catalog/Product/3NW7122>

Service&Support (Manuals, Certificates, Characteristics, FAQs,...)
<http://support.automation.siemens.com/WW/view/en/3NW7122/all>

Image database (product images, 2D dimension drawings, 3D models, device circuit diagrams, ...)

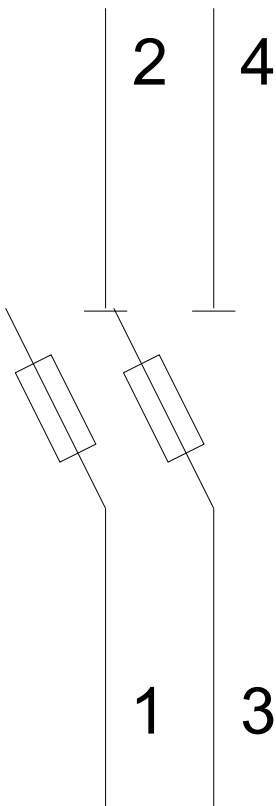
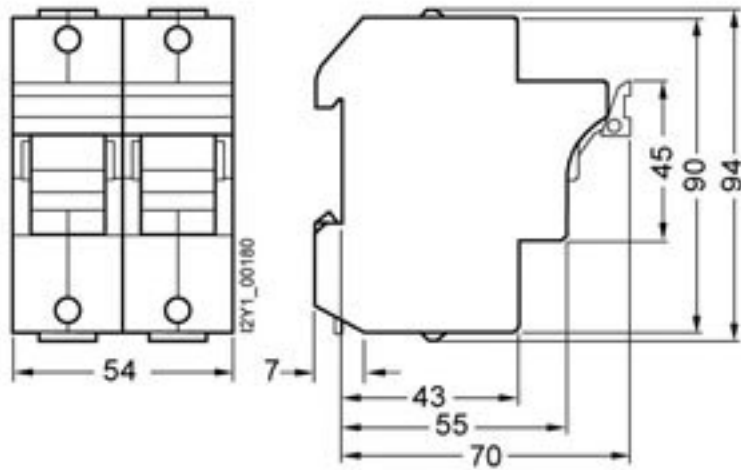
http://www.automation.siemens.com/bilddb/cax_en.aspx?mlfb=3NW7122

CAx-Online-Generator

<http://www.siemens.com/cax>

Tender specifications

<http://ausschreibungstexte.siemens.com/tiplv>



last modified:

11.03.2015