



FUSELESS LOAD FEEDER REVERSING OPERATION, 400 V AC, SZ S00 0.18 TO 0.25A 3 KW, 230 V AC SCREW TERMINAL FOR STANDARD RAIL MOUNTING, TYPE OF COORDINATION 2, IQ = 150 KA (ALSO FULFILLS TYPE OF COORDINATION 1) 1NC (CONTACTOR)

|  |   |
|--|---|
| product brand name   | SIRIUS  |
| Product designation  | non-fused load feeders 3RA2   |
| <b>Manufacturer article number</b>   |   |
| <ul style="list-style-type: none"> <li>• of the supplied contactor</li> <li>• of the supplied circuit-breakers</li> <li>• of the supplied link module</li> </ul> | <a href="#">3RT2015-1AP02</a><br><a href="#">3RV2011-0CA10</a><br><a href="#">3RA1921-1DA00</a> |

**General technical data:**

|  |    |            |
|--|----|------------|
| <b>Insulation voltage</b>  |    |            |
| <ul style="list-style-type: none"> <li>• with degree of pollution 3 Rated value</li> </ul> | V  | 690        |
| <b>Shock resistance</b>  |    |            |
| <ul style="list-style-type: none"> <li>• acc. to IEC 60068-2-27</li> </ul>                 |    | 6g / 11 ms |
| <b>Surge voltage resistance Rated value</b>  | kV | 6          |
| <b>Type of assignment</b>  |    | 2          |
| <b>Protection class IP</b>   |    |            |
| <ul style="list-style-type: none"> <li>• on the front</li> </ul>                           |    | IP20       |

**Main circuit:**

|  |    |               |
|--|----|---------------|
| <b>Number of poles for main current circuit</b>  |    | 3             |
| <b>Adjustable response value current of the current-dependent overload release</b>                     | A  | 0.18 ... 0.25 |
| <b>Operating voltage</b>   |    |               |
| <ul style="list-style-type: none"> <li>• Rated value</li> <li>• at AC-3 Rated value maximum</li> </ul> | V  | 690           |
|  | V  | 690           |
| <b>Operating frequency Rated value</b>   | Hz | 50 ... 60     |
| <b>Operating current</b>   |    |               |
| <ul style="list-style-type: none"> <li>• at AC-3</li> </ul>  |    |               |

|                        |   |     |
|------------------------|---|-----|
| — at 400 V Rated value | A | 0.2 |
| <b>Operating power</b> |   |     |
| • at AC-3              |   |     |
| — at 400 V Rated value | W | 60  |
| — at 500 V Rated value | W | 60  |
| — at 690 V Rated value | W | 90  |

#### Control circuit/ Control:

|  |     |     |
|--|-----|-----|
| <b>Control supply voltage with AC</b>                    |     |     |
| • at 50 Hz Rated value                                   | V   | 230 |
| • at 60 Hz Rated value                                   | V   | 230 |
| <b>Apparent holding power of the magnet coil with AC</b> | V·A | 4.2 |

#### Auxiliary circuit:

|   |  |     |
|---|--|-----|
| <b>Product expansion Auxiliary switch</b> |  | Yes |
|---|--|-----|

#### Protective and monitoring functions:

|   |  |                      |
|---|--|----------------------|
| <b>Trip class</b>                             |  | CLASS 10             |
| <b>Design of the overload circuit breaker</b> |  | thermal (bimetallic) |

#### UL/CSA ratings:

|   |   |      |
|---|---|------|
| <b>Full-load current (FLA) for three-phase AC motor</b> |   |      |
| • at 480 V Rated value                                  | A | 0.25 |

#### Short-circuit:

|  |   |          |
|--|---|----------|
| Product function Short circuit protection                |   | Yes      |
| <b>Design of the short-circuit trip</b>                  |   | magnetic |
| <b>Conditional short-circuit current (I<sub>q</sub>)</b> |   |          |
| • at 690 V acc. to IEC 60947-4-1 Rated value             | A | 100 000  |
| • at 400 V acc. to IEC 60947-4-1 Rated value             | A | 153 000  |
| • at 500 V acc. to IEC 60947-4-1 Rated value             | A | 100 000  |

#### Installation/ mounting/ dimensions:

|                          |    |  |
|--------------------------|----|--|
| <b>mounting position</b> |    | vertical   |
| <b>Mounting type</b>     |    | screw and snap-on mounting onto 35 mm standard mounting rail |
| <b>Height</b>            | mm | 170  |
| <b>Width</b>             | mm | 90   |
| <b>Depth</b>             | mm | 97.1   |
| <b>Required spacing</b>  |    |  |
| • for grounded parts     |    |  |
| — forwards               | mm | 0  |
| — Backwards              | mm | 0  |
| — upwards                | mm | 20   |
| — at the side            | mm | 9  |
| — downwards              | mm | 10   |

|                  |    |    |
|------------------|----|----|
| • for live parts |    |    |
| — forwards       | mm | 0  |
| — Backwards      | mm | 0  |
| — upwards        | mm | 20 |
| — downwards      | mm | 10 |
| — at the side    | mm | 9  |

#### Connections/ Terminals:

##### Type of electrical connection

|                            |  |                      |
|----------------------------|--|----------------------|
| • for main current circuit |  | screw-type terminals |
|----------------------------|--|----------------------|

#### Safety related data:

|   |  |           |
|---|--|-----------|
| <b>B10 value with high demand rate acc. to SN 31920</b> |  | 1 000 000 |
|---|--|-----------|

##### Proportion of dangerous failures

|  |   |    |
|--|---|----|
| • with high demand rate acc. to SN 31920 | % | 73 |
|--|---|----|

|  |  |             |
|--|--|-------------|
| <b>Protection against electrical shock</b> |  | finger-safe |
|--|--|-------------|

#### Mechanical data:

|                                    |  |     |
|------------------------------------|--|-----|
| <b>Size of the circuit-breaker</b> |  | S00 |
|------------------------------------|--|-----|

|                            |  |     |
|----------------------------|--|-----|
| <b>Size of load feeder</b> |  | S00 |
|----------------------------|--|-----|

#### Ambient conditions:

##### Ambient temperature

|                    |    |             |
|--------------------|----|-------------|
| • during operation | °C | -20 ... +60 |
| • during storage   | °C | -50 ... +80 |
| • during transport | °C | -50 ... +80 |

#### Certificates/ approvals:

|                          |                                |                           |                   |
|--------------------------|--------------------------------|---------------------------|-------------------|
| General Product Approval | For use in hazardous locations | Declaration of Conformity | Test Certificates |
|--------------------------|--------------------------------|---------------------------|-------------------|



[Type Test Certificates/Test Report](#)

|                   |                   |
|-------------------|-------------------|
| Test Certificates | Shipping Approval |
|-------------------|-------------------|

[Declaration of the Compliance with the order](#)

[Special Test Certificate](#)



|                   |       |
|-------------------|-------|
| Shipping Approval | other |
|-------------------|-------|



[Declaration of Conformity](#)

[Environmental Confirmations](#)

[other](#)

#### Further information

**Information- and Downloadcenter (Catalogs, Brochures,...)**

<http://www.siemens.com/industrial-controls/catalogs>

**Industry Mall (Online ordering system)**

<http://www.siemens.com/industrymall>

**Cax online generator**

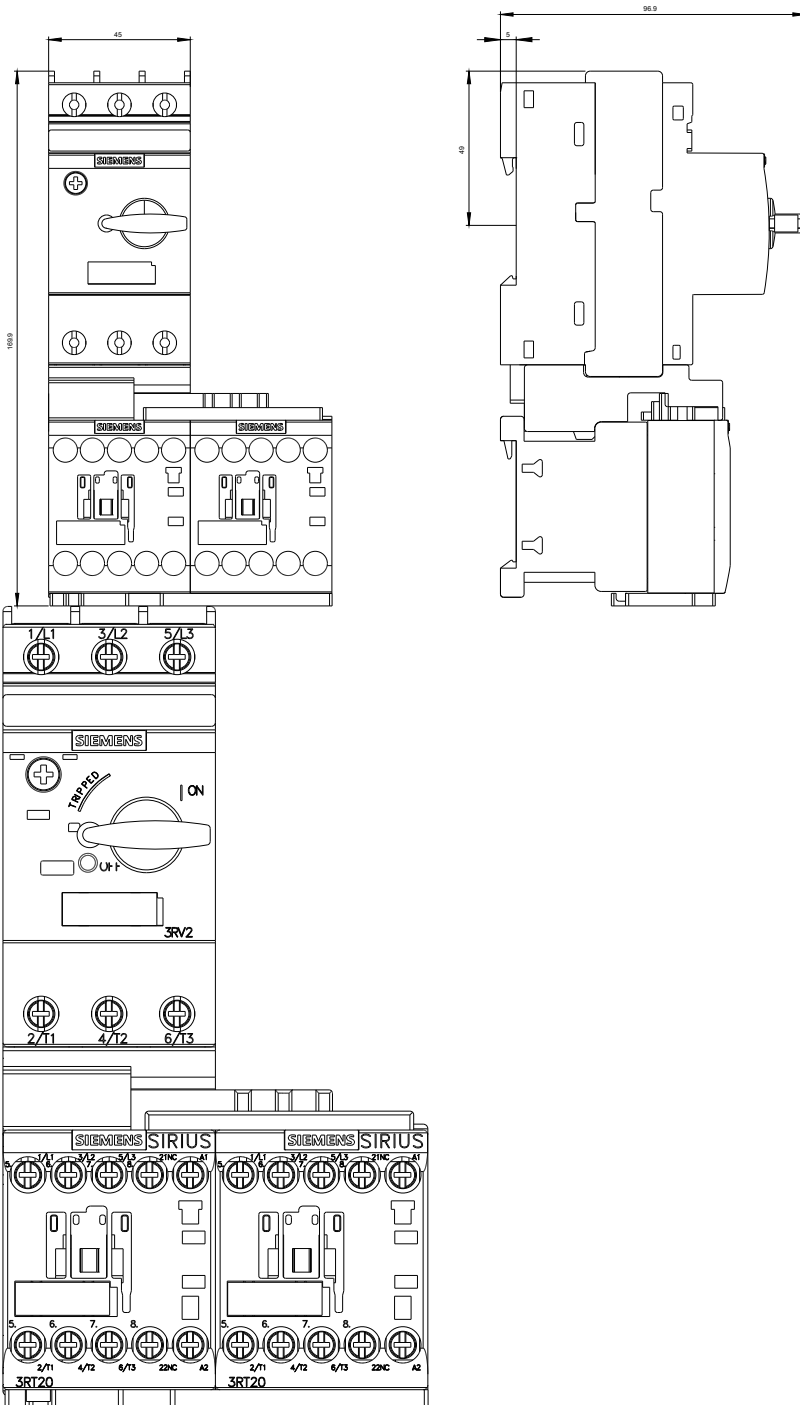
<http://support.automation.siemens.com/WW/CAXorder/default.aspx?lang=en&mfb=3RA22100CA152AP0>

**Service&Support (Manuals, Certificates, Characteristics, FAQs,...)**

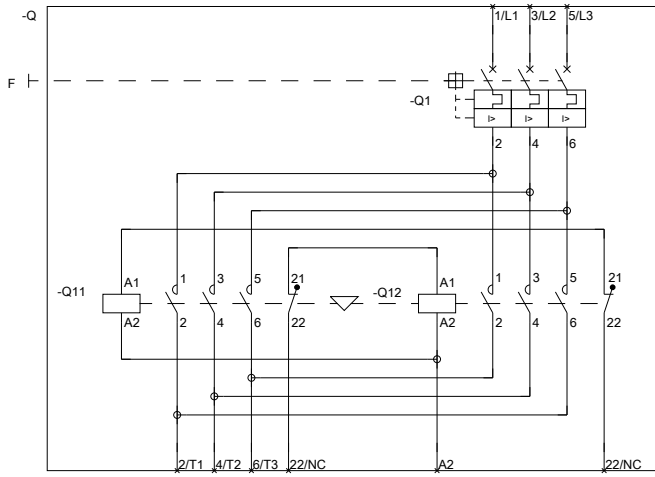
<http://support.automation.siemens.com/WW/view/en/3RA22100CA152AP0/all>

**Image database (product images, 2D dimension drawings, 3D models, device circuit diagrams, EPLAN macros, ...)**

[http://www.automation.siemens.com/bilddb/cax\\_de.aspx?mfb=3RA22100CA152AP0&lang=en](http://www.automation.siemens.com/bilddb/cax_de.aspx?mfb=3RA22100CA152AP0&lang=en)



REBR&REBEF&ZV&C&DHERUNGSL



REBR&REBEF&ZV&C&DHERUNGSL

last modified:

11.03.2015