



DIAZED FUSE-BASE SIZE III MOULDED, 1-POLE SHOCK-HAZARD-PROTECTED (BGV A2) ENTRY: DOUBLE FUNCTION TERMINAL OUTLET: BOX TERMINAL 63 A 500 V AC

Figure similar

Model		
product brand name		SENTRON
Design of the fuse base		gauge inset
General technical data		
Number of poles		1
Size of fuse system / acc. to DIN EN 60269-1		DIII
Electricity		
Current / with AC / Rated value	A	63
Product details		
Product component / Cover		Yes
Mechanical Design		
Height	mm	50
Depth	mm	55
Mounting type		screw fixing
Material / of the enclosure		plastic
General Product Approval		Declaration of Conformity



Further information

Information- and Downloadcenter (Catalogs, Brochures,...)

<http://www.siemens.com/lowvoltage/catalogs>

Industry Mall (Online ordering system)

<https://eb.automation.siemens.com/mall/en/WW/Catalog/Product/5SF1260>

Service&Support (Manuals, Certificates, Characteristics, FAQs,...)

<http://support.automation.siemens.com/WW/view/en/5SF1260/all>

Image database (product images, 2D dimension drawings, 3D models, device circuit diagrams, ...)

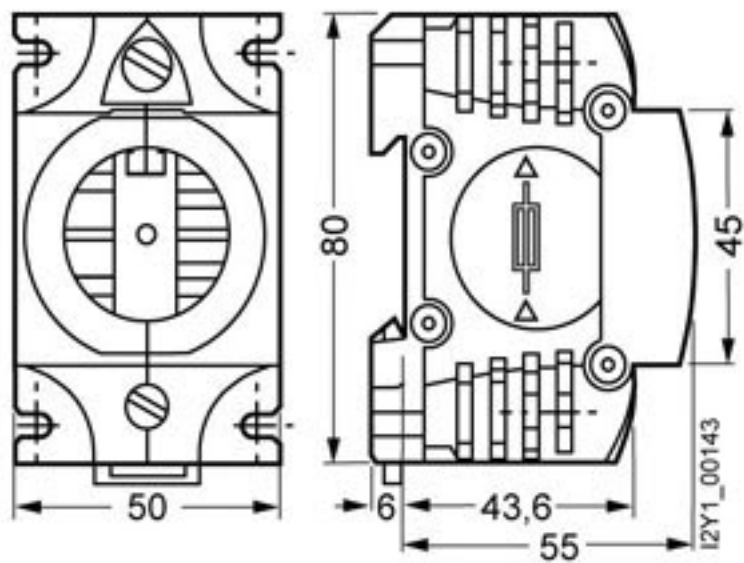
http://www.automation.siemens.com/bilddb/cax_en.aspx?mfb=5SF1260

CAX-Online-Generator

<http://www.siemens.com/cax>

Tender specifications

<http://ausschreibungstexte.siemens.com/tiplv>





last modified:

11.03.2015