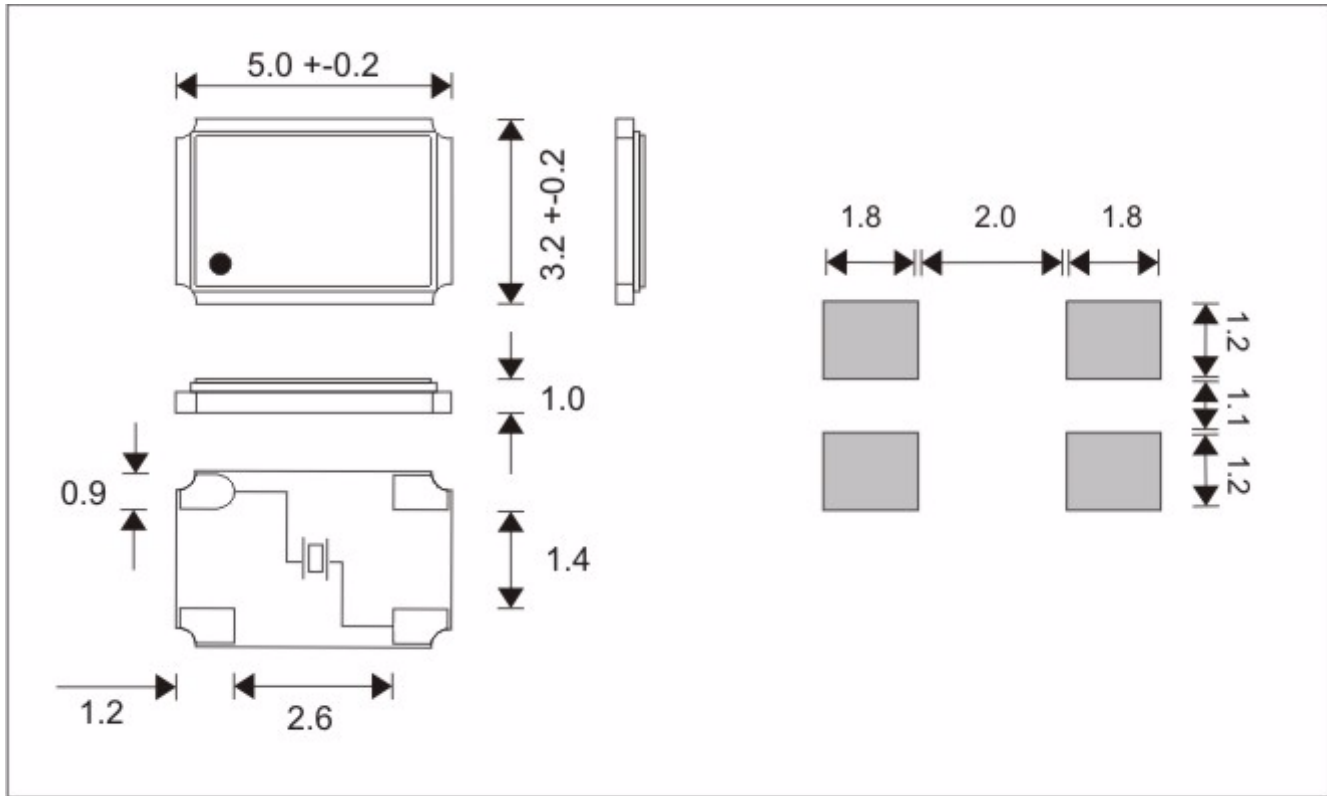




**SPECIFICATION  
CONTROL DRAWING  
Crystal Resonator**

FREQUENCY
8.000000MHz



Holder Style	5x32x1 4-Pad
Mode	Fundamental
Adjustment Tolerance	$\pm 30$ PPM at 25°C
Temperature Stability	$\pm 30$ PPM
Operating Temp. Range	-40°C to +85°C
Load Capacitance	18 pF
ESR	100 max Ohm
Static Capacitance (C0)	Unspecified pF
Ageing	+/-5ppm 1st Year Max
Marking	AEL8.000 WWYY

Amdt Date	Change Note	AEL Code
		<b>X8M000000S104</b>
		<b>Issue Ref</b> A