

Shaft Collars, Clamp Collars Double-Split, Inch Size Bore

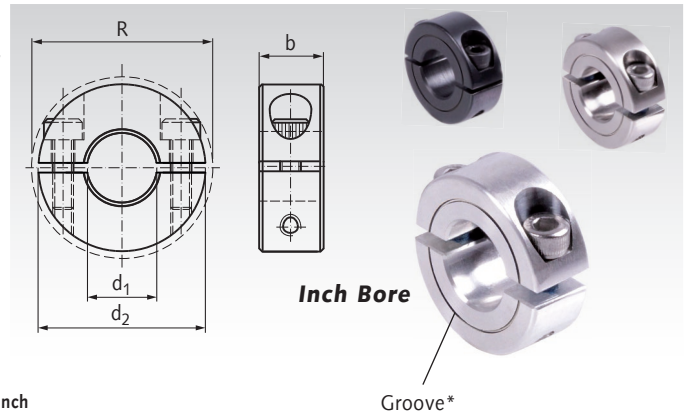
Material: Steel C45, black oxide finish, screws steel 12.9.
Stainless steel 1.4305 (AISI 303),
screws stainless steel A2-70.
Aluminium, screws stainless steel A2-70.



Features: does not damage the shaft, stronger clamping force than with set collars, even distribution of clamping forces, easy readjustment, precise **bores in inch size**. The threads of the metric screws DIN 912 are covered with a layer of polyamide.

Tolerance b: +0.08 mm
-0.25 mm

Temperature range: -40°C to +175°C.



Ordering Details: e.g.: Product No. 623 406 3500, Double-split Clamp Collar, Bore 0.25 Inch

Product No. Steel black	Product No. Stainless Steel	Product No. Aluminium	d ₁ Inch	d ₁ Fracture	d ₁ mm	d ₂ mm	R _{max.} mm	b mm	Screws DIN912	Weight Steel g	Weight Aluminium g
623 406 3500	623 994 0635	623 664 0635	0,25	1/4"	6,35	18	22,4	9	M3 x 8	13	5
623 407 9400	623 994 0794	623 664 0794	0,313	5/16"	7,938	18	22,4	9	M3 x 8	12	5
623 409 5300	623 994 0953	623 664 0953	0,375	3/8"	9,525	24	26	9	M3 x 8	22	8
623 411 1100	623 994 1111	623 664 1111	0,438	7/16"	11,113	28	31,8	11	M4 x 12	38	13
623 412 7000	623 994 1270	623 664 1270	0,5	1/2"	12,7	30	33,9	11	M4 x 12	43	15
623 415 8800	623 994 1588	623 664 1588	0,625	5/8"	15,875	34	39,4	13	M5 x 14	63	22
623 419 0500	623 994 1905	623 664 1905	0,75	3/4"	19,05	40	46,4	15	M6 x 16	97	34
623 422 2300	623 994 2223	623 664 2223	0,875	7/8"	22,225	42	48,1	15	M6 x 16	103	36
623 423 8100	623 994 2381	623 664 2381	0,938	15/16"	23,813	45	50,8	15	M6 x 16	117	40
623 425 4000	623 994 2540	623 664 2540	1	1"	25,4	45	50,8	15	M6 x 16	114	40
623 428 5800	623 994 2858	623 664 2858	1,125	1 1/8"	28,575	48	53,7	15	M6 x 18	123	43
623 431 7500	623 994 3175	623 664 3175	1,25	1 1/4"	31,75	54	58,6	15	M6 x 18	156	54
623 434 9300	623 994 3493	623 664 3493	1,375	1 3/8"	34,925	57	61,6	15	M6 x 18	171	59
623 438 1000	623 994 3810	623 664 3810	1,5	1 1/2"	38,1	60	65	15	M6 x 18	163	56
623 444 4500	623 994 4445	623 664 4445	1,75	1 3/4"	44,45	73	79,4	19	M8 x 25	344	119
623 450 8000	623 994 5080	-	2	2"	50,8	82	88,8	19	M8 x 25	380	-
623 457 1500	623 994 5715	-	2,25	2 1/4"	57,15	88	94	19	M8 x 25	425	-
623 463 5000	623 994 6350	-	2,5	2 1/2"	63,5	93	99,8	19	M8 x 25	450	-
623 476 2000	623 994 7620	-	3	3"	76,2	108	113,8	19	M8 x 25	535	-

* At these collars, there is a circular groove on one flat side, as a marking for the inch bore version.