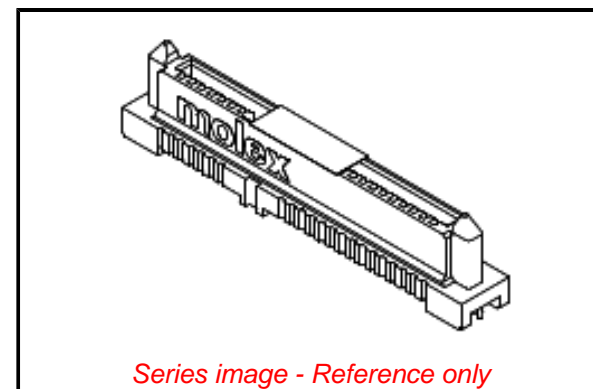


**PLEASE CHECK WWW.MOLEX.COM FOR LATEST PART INFORMATION**

**Part Number:** [0877131006](#)  
**Status:** **Active**  
**Overview:** Serial ATA Host Receptacles  
**Description:** 1.27mm Pitch Serial ATA Host Receptacle, Surface Mount, Vertical, Standard Height, with 1.05mm Plastic Locating Peg, 0.76µm Gold (Au) Selective Plating, with Kapton Tape, Tape on Reel Packaging, 22 Circuits, Lead-Free

**Documents:**

<a href="#">3D Model</a>	<a href="#">Packaging Specification PK-87713-002 (PDF)</a>
<a href="#">Drawing (PDF)</a>	<a href="#">RoHS Certificate of Compliance (PDF)</a>
<a href="#">Product Specification PS-87713-016-001 (PDF)</a>	



**Agency Certification**

CSA	LR19980
UL	E29179

**General**

Product Family	PCB Receptacles
Series	<a href="#">87713</a>
Application	Board-to-Board, Signal
Comments	1.05mm Plastic Locating Peg
Overview	<a href="#">Serial ATA Host Receptacles</a>
Product Name	Serial ATA
UPC	883906317690

**Physical**

(p)ower-(s)ignal Configuration	15p - 7s
Circuits (Loaded)	22
Circuits (maximum)	22
Durability (mating cycles max)	500
Flammability	94V-0
Glow-Wire Capable	No
Lock to Mating Part	Yes
Material - Metal	Copper Alloy
Material - Plating Mating	Gold
Material - Plating Termination	Tin
Material - Resin	High Temperature Thermoplastic
Net Weight	1.486/g
Number of Rows	1
Orientation	Vertical
PCB Locator	Yes
PCB Retention	None
Packaging Type	Tray
Pitch - Mating Interface	1.27mm
Plating min - Mating	0.762µm
Plating min - Termination	2.540µm
Polarized to Mating Part	Yes
Polarized to PCB	Yes
Surface Mount Compatible (SMC)	N/A
Temperature Range - Operating	-40° to +105°C
Termination Interface: Style	Surface Mount

**Electrical**

Current - Maximum per Contact	1.5A
Voltage - Maximum	30V

**Solder Process Data**

Duration at Max. Process Temperature (seconds)	010
--	-----

**EU ELV**

**Not Relevant**

**EU RoHS**

**Compliant**

**REACH SVHC**

Not Contained Per -  
ED/61/2018 (27 June  
2018)

**Halogen-Free**

**Status**

**Low-Halogen**

**Need more information on product environmental compliance?**

Email [productcompliance@molex.com](mailto:productcompliance@molex.com)  
Please visit the [Contact Us](#) section for any non-product compliance questions.

China ROHS	Green Image
ELV	Not Relevant
RoHS Phthalates	Not Contained

**Search Parts in this Series**

[87713 Series](#)

**Mates With**

[87679](#) , [87799](#) , [87703](#)

Lead-free Process Capability  
Max. Cycles at Max. Process Temperature  
Process Temperature max. C

REFLOW  
001  
260

**Material Info**

**Reference - Drawing Numbers**

Electrical Model Document

EE-78178-001, EE-78328-001, EE-78328-002,  
EE-87703-003, EE-87713-001

Packaging Specification

PK-87713-002

Product Specification

PS-87713-016-001

S-Parameter Model

SP-87713-001

Sales Drawing

SD-87713-029

This document was generated on 08/17/2018

**PLEASE CHECK [WWW.MOLEX.COM](http://WWW.MOLEX.COM) FOR LATEST PART INFORMATION**