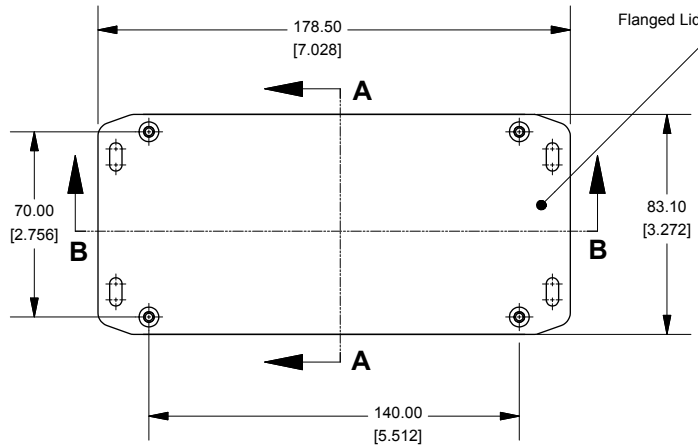
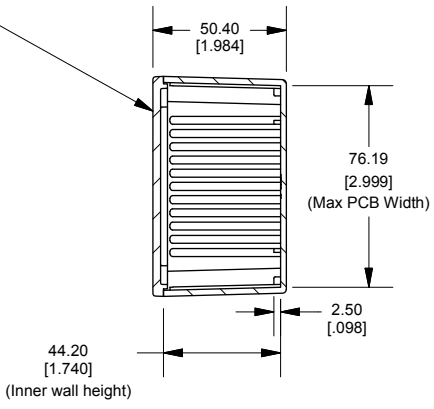


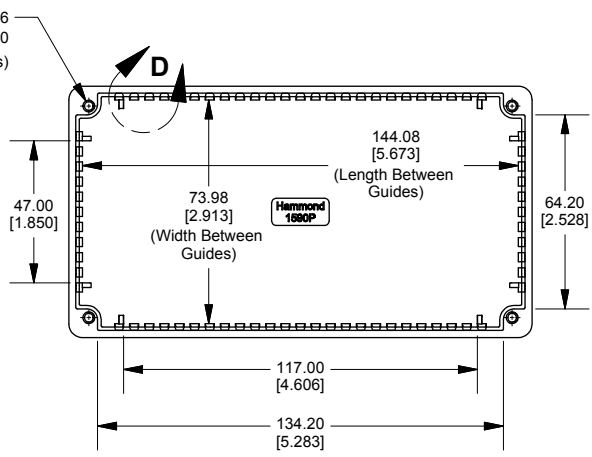
Top View of Assembly



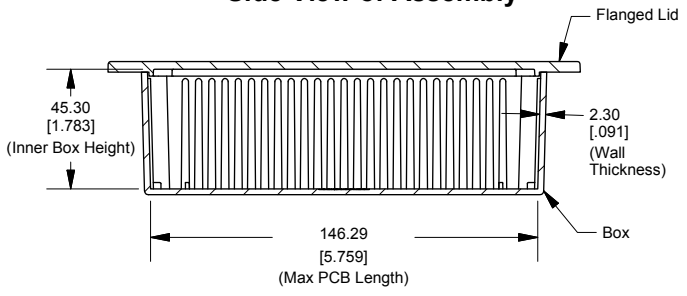
SECTION A-A End View of Assembly



Top View Looking Inside Box



SECTION B-B Side View of Assembly

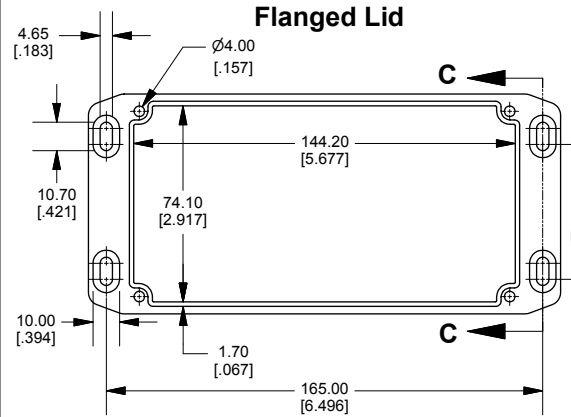


Enclosures can be Factory Modified (Milling, Drilling, Printing etc.)
 Contact Factory mjm@hammondmfg.com for quotes
 Solid models of this enclosure available in STEP or IGES.

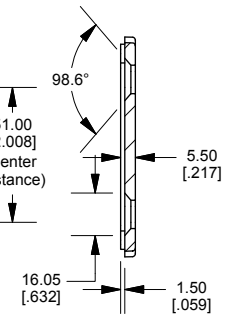
NOTE	
Purchased assembly includes box, lid and 4 cover screws.	
Box and lid are made from Diecast Aluminum Alloy.	
Silicone Gasket supplied with liquid resistant enclosure.	

PART NUMBERS	
1590PFL Enclosure	
Natural Finish Enclosure	1590PFL
Black Textured Enclosure	1590PFLBK
1590PFL Liquid Resistant Enclosure (Silicone Gasket)	
Natural Finish Enclosure	1590WPFL
Black Textured Enclosure	1590WPFLBK
ACCESSORIES	
Recommended Torque: 75 ozf.in / 55 cN.m	
Liquid Resistant Cover Screws	
Stainless Steel Cover Screws (Pkg 100) [M3.5 x 12mm, With O-Ring]	1550WMS100
Black Stainless Steel Cover Screws (Pkg 100) [M3.5 x 12mm, With O-Ring]	1550WMS100BK
Standard Cover Screws	
Plated Cover Screws (Pkg 100) [M3.5 x 12mm]	1550MS100
Black Cover Screws (Pkg 100) [M3.5 x 12mm]	1550MS100BK

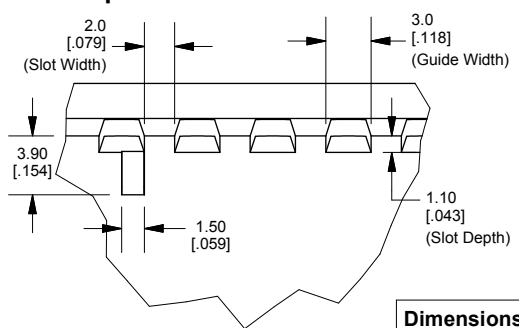
Flanged Lid



SECTION C-C Side View of Slot



DETAIL D Top View - Interior Features



Dimensions:
mm
[inches]

1590PFL
www.hammondmfg.com