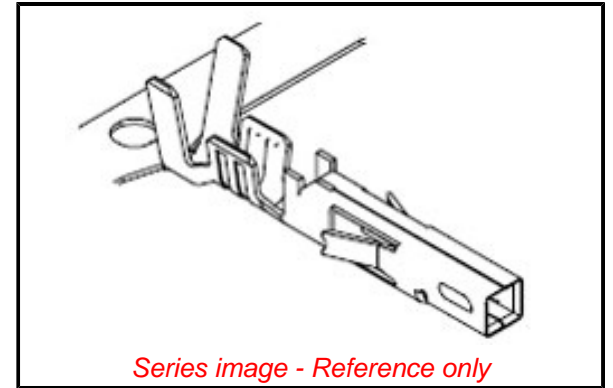


**PLEASE CHECK WWW.MOLEX.COM FOR LATEST PART INFORMATION**

**Part Number:** [0460183541](#)  
**Status:** **Active**  
**Overview:** [Mini-Fit Plus Connector System](#)  
**Description:** Mini-Fit Plus High Mating Cycle Female Crimp Terminal, 16 AWG, Reel, Select Gold (Au) Plating with Proprietary Molex Advanced Contact Surface Finish (CSF) in Contact Area

**Documents:**

[Drawing \(PDF\)](#) [Packaging Specification PK-46018-001 \(PDF\)](#)  
[Product Specification PS-46018-004 \(PDF\)](#) [RoHS Certificate of Compliance \(PDF\)](#)  
[Product Specification TS-46018-001-001 \(PDF\)](#)



**General**

Product Family	Crimp Terminals
Series	<a href="#">46018</a>
Application	Power, Wire-to-Board, Wire-to-Wire
Comments	High Mating Cycles
Crimp Quality Equipment	Yes
Overview	<a href="#">Mini-Fit Plus Connector System</a>
Packaging Alternative	<a href="#">46018-3542 (Loose)</a>
Product Name	Mini-Fit Plus
UPC	822350560498

**Physical**

Gender	Female
Material - Metal	Copper Alloy
Material - Plating Mating	Gold
Material - Plating Termination	Tin
Net Weight	0.150/g
Packaging Type	Reel
Plating min - Mating	0.051µm
Plating min - Termination	2.540µm
Termination Interface: Style	Crimp or Compression
Wire Insulation Diameter	1.80-3.10mm
Wire Size AWG	16
Wire Size mm <sup>2</sup>	N/A

**Electrical**

Current - Maximum per Contact	13.0A
Voltage - Maximum	600V

**Solder Process Data**

Lead-freeProcess Capability	N/A
-----------------------------	-----

**Material Info**

**Reference - Drawing Numbers**

Packaging Specification	PK-46018-001
Product Specification	PS-46018-004, TS-46018-001-001
Sales Drawing	SD-46018-001-001

**EU ELV**

**Not Relevant**

**EU RoHS**

**Compliant**

**REACH SVHC**

Not Contained Per -  
ED/61/2018 (27 June  
2018)

**Halogen-Free**

**Status**

**Low-Halogen**

For more information, please visit [Contact US](#)

China ROHS

ELV

RoHS Phthalates

**China RoHS**

Green Image

Not Relevant

Not Contained

**Search Parts in this Series**

[46018 Series](#)

**Mates With**

Mini-Fit Plus Crimp Terminal [46012](#)  
 <br>Mini-Fit Plus Header [46011](#) , [46014](#)  
 , [46015](#) <br>Mini-Fit BMI Header [44068](#) ,  
[42404](#) , [43810](#) <br>Mini-Fit Jr. Header [5569](#)  
 <br>Mini-Fit TPA Header [30070](#)

**Use With**

Mini-Fit Jr. Receptacles [5557](#) <br>Mini-Fit  
 TPA Receptacles [30067](#) <br>Mini-Fit  
 BMI Panel Mount Receptacles [42474](#) <br>  
 Mini-Fit BMI Panel Mount Slide-N-Lock  
 Receptacles [44516](#)