

Würth Elektronik eiSos GmbH & Co. KG

EMC & Inductive Solutions

Max-Eyth-Straße 1 · 74638 Waldenburg · Germany

Tel. +49 (0) 79 42 945-0 · Fax +49 (0) 79 42 945-400

eiSos@we-online.de · www.we-online.de



Product / Process Change Notification (PCN)

- Major change
 Minor change

PCN #: PCN_IndPD2_20190923

Affected Series: WE-PD2
 7447732xxx, 744773xxx, 7447745xxx,
 744774xxx, 744775xxx, 744776xxx,
 7447768xxx

PCN Date: August 23, 2019

Effective Date: September 23, 2019

Change Category:

- Equipment / Location
 General Data
 Material
 Process
 Product Design
 Shipping / Packaging
 Supplier
 Software

Contact: Product Management

Phone: +49 (0) 7942 - 945 5001

Fax: +49 (0) 7942 - 945 5179

E-Mail: pcn.eisos@we-online.com

Data Sheet Change:

- Yes No

Attachment:

- Yes No

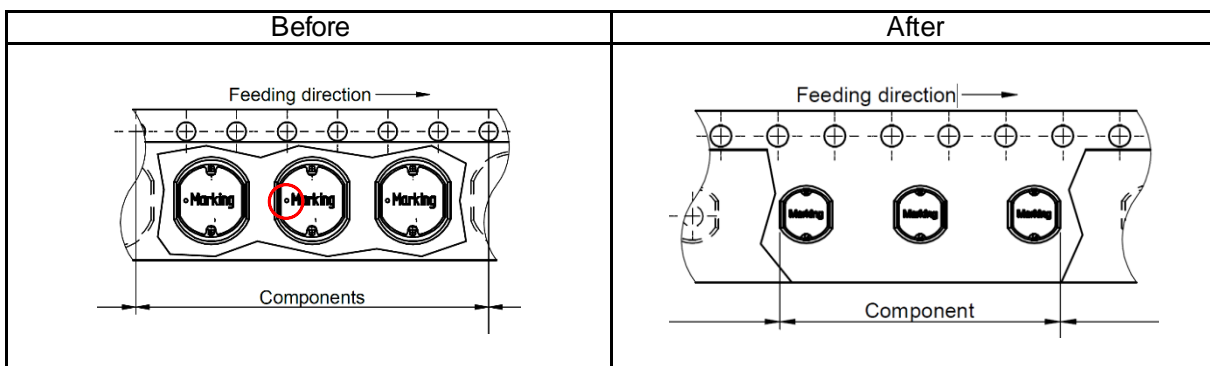
DESCRIPTION AND PURPOSE OF CHANGE:

Because of a database mismatch, Würth Elektronik will do some corrections in the product and packaging drawings of the product series WE-PD2.

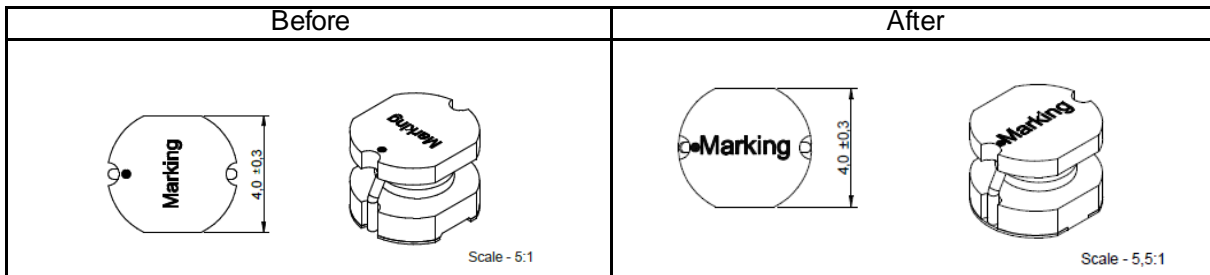
There will be no change in form, fit, function, quality or reliability of the product.

DETAIL OF CHANGE:

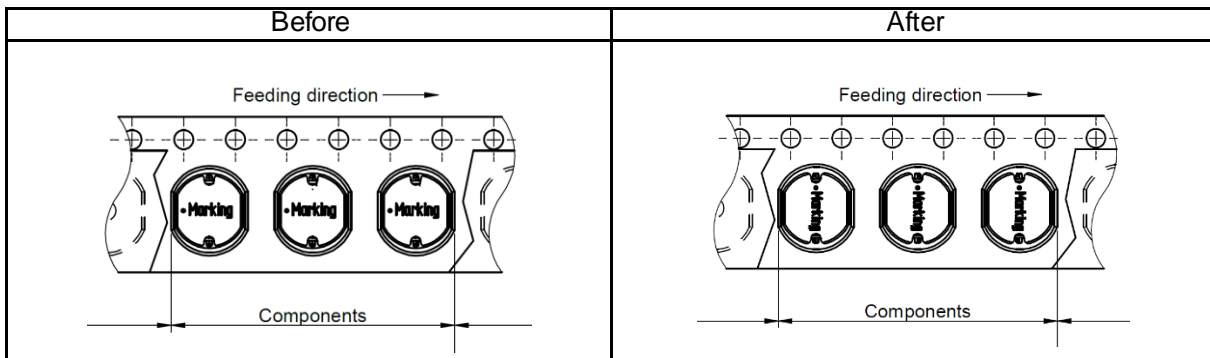
- The start of winding indication (**dot**) in the packaging drawing will be removed for size 3521



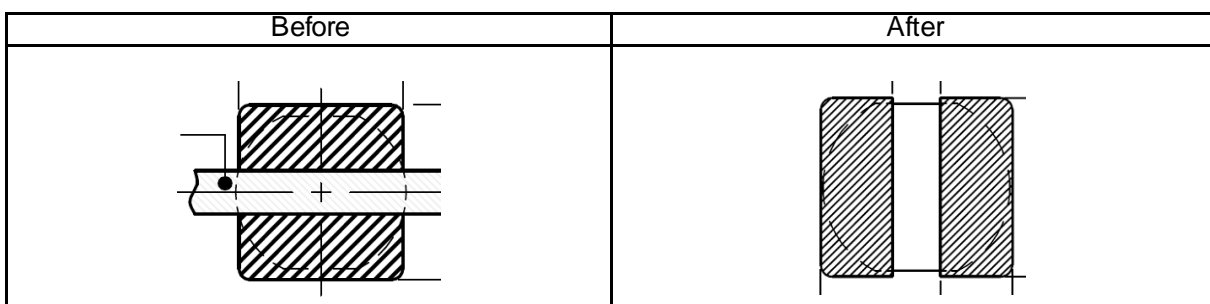
2. The marking in the product drawing will be turned by 90° for size 4532. The start of winding indication (dot) will stay the same



3. The marking and start of winding indication (dot) in the packaging drawing will be turned by 90° for sizes 4532, 5820, 5848, 7850, 1054 and 1065



4. The dashed product dimensions in the land pattern will be turned by 90° for sizes 4532, 5820, 5848, 7850, 1054 and 1065



RELIABILITY / QUALIFICATION SUMMARY:

There will be no change of the product, therefore no additional reliability or qualification testing will be performed.