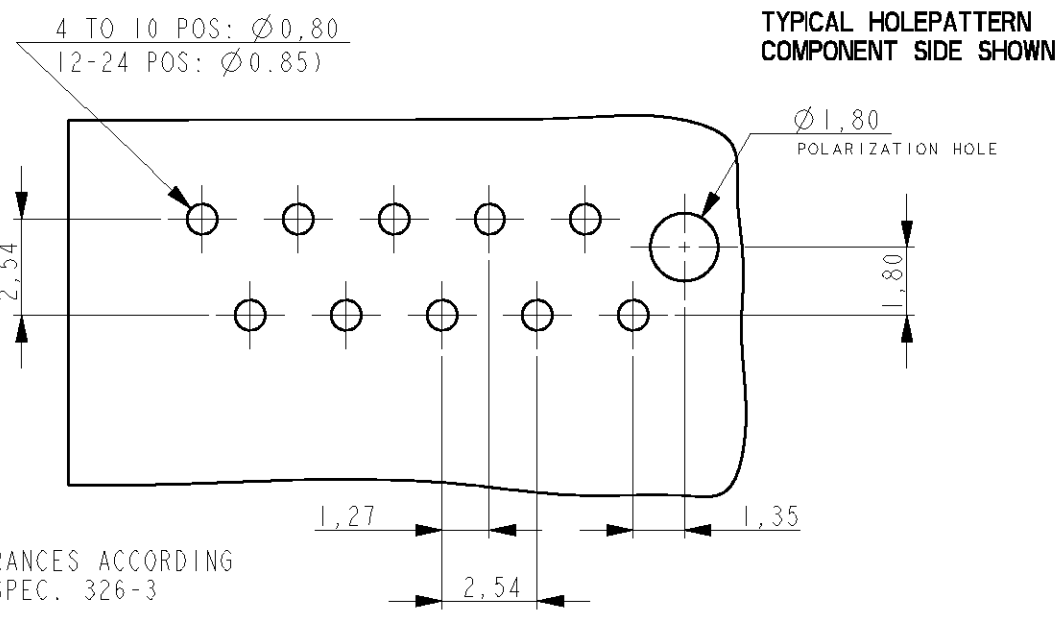
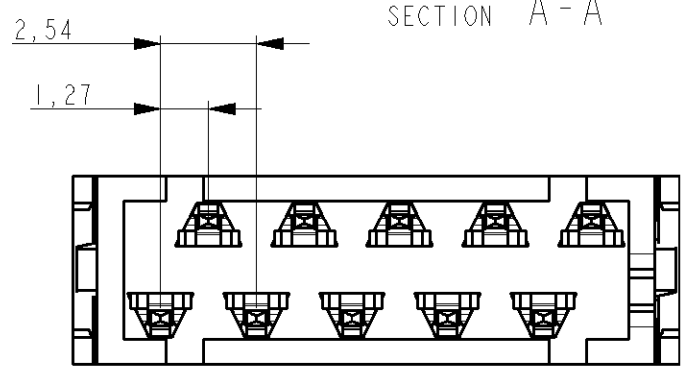
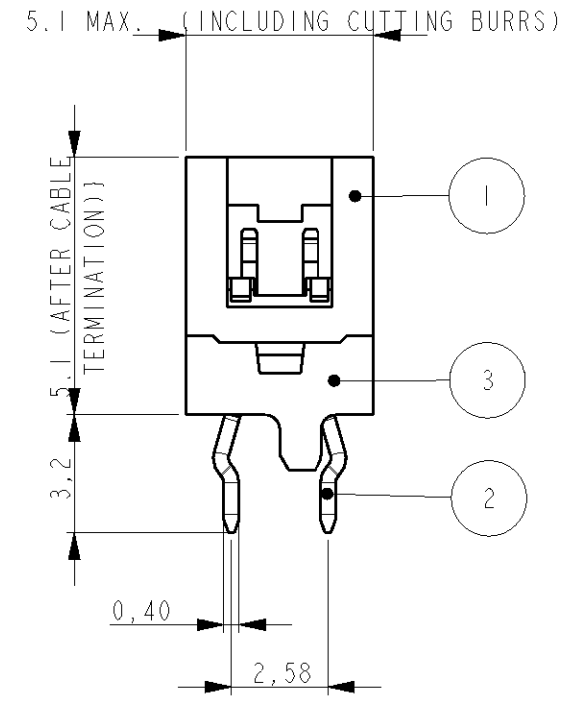
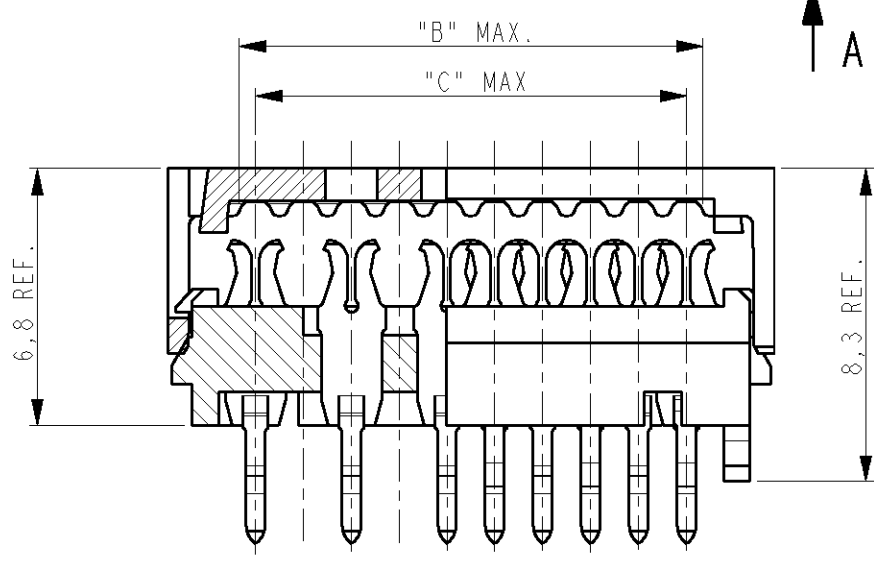
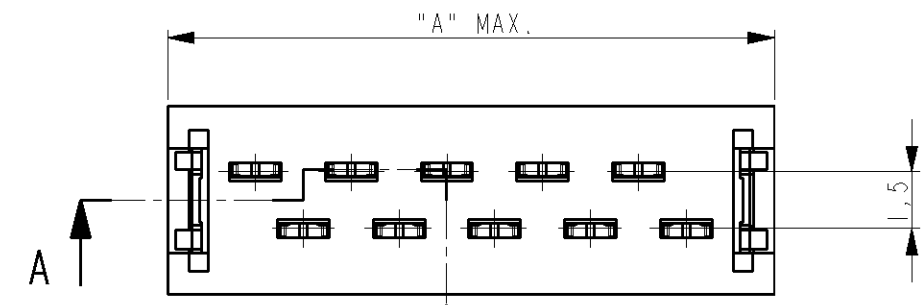


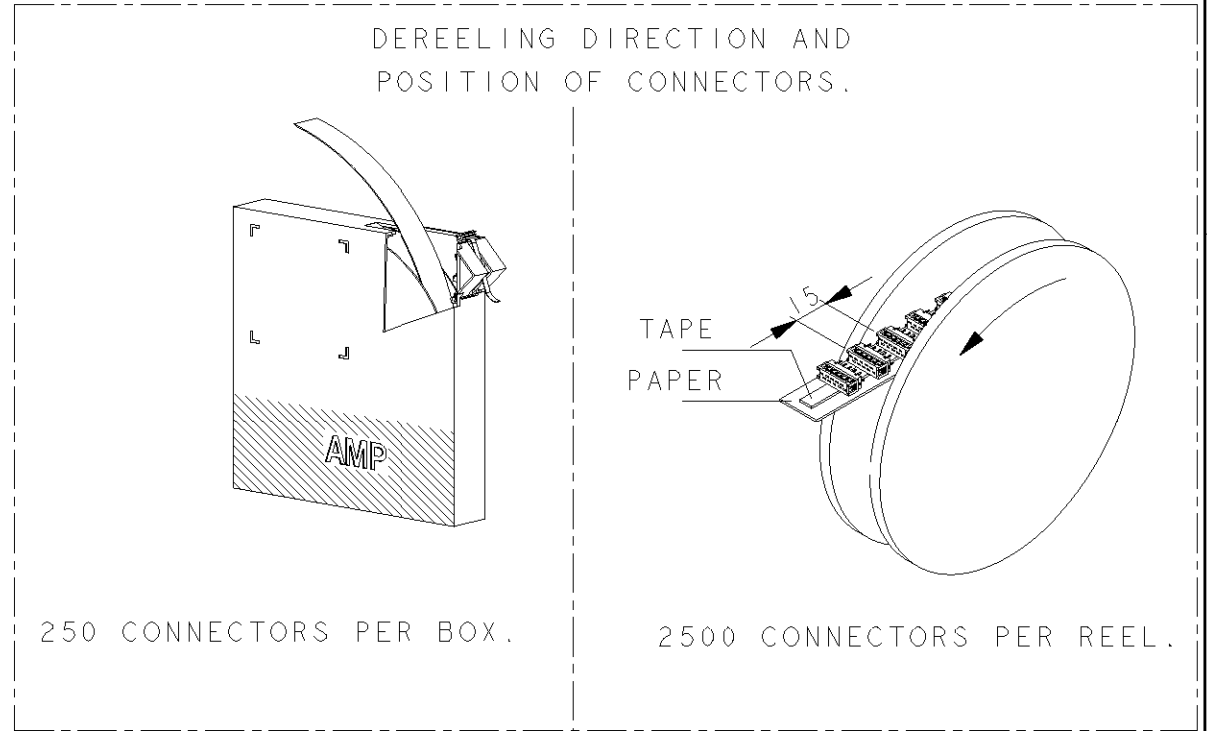
THIS DRAWING IS UNPUBLISHED.   
 RELEASABLE FOR PUBLICATION DATE: -   
 © COPYRIGHT - By Tyco Electronics Nederland B.V. ALL RIGHTS RESERVED.

LOC	DIST	REVISIONS			
		LTR	DESCRIPTION	DATE	APVD
H	-	N	ECN EH00-01263-01	07/11/01	H.S.
		P	ECN EH00-1352-01	4/12/01	H.S.
		R	ECN EH01-1328-03	12 NOV 03	PDJ



TOLERANCES ACCORDING IEC SPEC. 326-3

PARTNUMBER BOX PACKAGE	PARTNUMBER REEL PACKAGE	NR OF POS	DIMENSIONS		
			"A" MAX.	"B" MAX.	"C"
7-215570-4	215570-4	4	8.6	5.4	3.81
7-215570-6	215570-6	6	11.1	8.0	6.35
7-215570-8	215570-8	8	13.6	10.5	8.89
8-215570-0	1-215570-0	10	16.2	13.0	11.43
8-215570-2	1-215570-2	12	18.7	15.6	13.97
8-215570-4	1-215570-4	14	21.3	18.1	16.51
8-215570-6	1-215570-6	16	23.8	20.7	19.05
8-215570-8	1-215570-8	18	26.3	23.2	21.59
9-215570-0	2-215570-0	20	28.9	25.7	24.13
9-215570-4	2-215570-4	24	34.0	30.8	29.21



NOTE: 1.10 POSITIONS AS SHOWN

THIS DRAWING IS A CONTROLLED DOCUMENT FOR Tyco Electronics Nederland B.V. IT IS SUBJECT TO CHANGE AND THE CONTROLLING ENGINEERING ORGANIZATION SHOULD BE CONTACTED FOR THE LATEST REVISION.

DIMENSIONS: mm	TOLERANCES UNLESS OTHERWISE SPECIFIED:
	0 PLC ± 0.2
	1 PLC ± 0.1
	2 PLC ± 0.05
	3 PLC ± -
	4 PLC ± -
	ANGLES ± 0.2°
MATERIAL	FINISH

3	PADDLEBOARD HOUSING	G.F. POLYESTER (RED)	-
2	CONTACT	PHOSFOR BRONZE	TIN
1	COVER	G.F. POLYESTER (RED)	-
Item no.	Description	Material	Finish
DWN	M.GOSSELINK	<b>AMP</b> Tyco Electronics Nederland B.V. 's-HERTOGENBOSCH, THE NETHERLANDS NAME MICROMATCH PADDLE BOARD CONNECTOR	
CHK	M.GOSSELINK		
APVD	ELEIJTENS		
PRODUCT SPEC	108-19052		
APPLICATION SPEC	114-19016	SIZE A3	CAGE CODE 00779
WEIGHT	-	DRAWING NO. C-215570	
CUSTOMER DRAWING		SCALE 5:1	SHEET 1 OF 1 REV R