

Human Machine Interface Touch Screen, 7"

multicomp PRO

**RoHS
Compliant**

Specifications

	Mode	MP011743
Main	OS	Linux 4.9.11 QT based
	Processor	Cortex A7 528MHz
Display	Size	7"
	Screen	TFT
	Resolution	800 × 480
	Color	16,000k colors
	Brightness (cd/m ²)	250
	Backlight	LED
	Backlight Lifetime	50,000 hours
	Touch Panel	High precision four-wire resistive
Storage	Memory	128 MB
	Flash	128 MB
	SD Card Slot	YES
	USB Port	USB2.0 Host + USB2.0 Client
RTC	Real-time clock	Yes
	Calendar	Yes
I/O Port	COM1	RS232, RS422/RS485
	COM2	RS232, RS485
	COM3	RS485
	Ethernet	x1
	CAN open	x1
	Wi-Fi	--
	4G LTE	--
Power	Rated Power	< 8W
	Power Voltage	DC 24V
	Input range	DC 12V to 28V
Enclosure	Shell Color	Grey
	Shell Material	Plastic+ABS (Polycarbonate)
	Overall Size (mm)	200W × 146H × 36.5D
	Mounting Size (mm)	192W × 138H
	Mounting Method	Panel Mount
	Weight (Kg)	0.74

Human Machine Interface Touch Screen, 7"

multicomp PRO

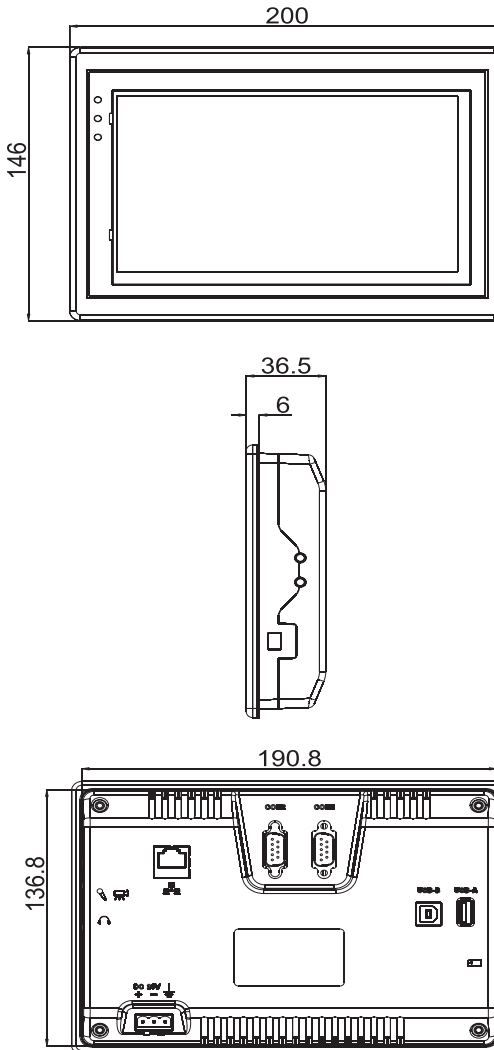
	Mode	MP011743
Environment	Working Temperature	-10°C to 55°C
	Storage Temperature	-20°C to 70°C
	Humidity	10°C to 85% RH (Non-condensing)
	Vibration Resistance	10 ~ 25 Hz (X, Y, Z direction 2G/30 minutes)
	Cooling	Air Cooling
Software	Programming	PIStudio
	Remote Access	--
	Email Alarm	YES
	IP Camera	--
	Audio Output	--
	Video Player	--
Certificates	IP Code	IP65 (Front panel)
	CE	CE Marked
	FCC	FCC Class A
	UL	--



Human Machine Interface Touch Screen, 7"

multicomp PRO

Dimension



Part Number Table

Description	Part Number
HMI-Touch Screen, 800 × 480	MP011743

Important Notice : This data sheet and its contents (the "Information") belong to the members of the AVNET group of companies (the "Group") or are licensed to it. No licence is granted for the use of it other than for information purposes in connection with the products to which it relates. No licence of any intellectual property rights is granted. The Information is subject to change without notice and replaces all data sheets previously supplied. The Information supplied is believed to be accurate but the Group assumes no responsibility for its accuracy or completeness, any error in or omission from it or for any use made of it. Users of this data sheet should check for themselves the Information and the suitability of the products for their purpose and not make any assumptions based on information included or omitted. Liability for loss or damage resulting from any reliance on the Information or use of it (including liability resulting from negligence or where the Group was aware of the possibility of such loss or damage arising) is excluded. This will not operate to limit or restrict the Group's liability for death or personal injury resulting from its negligence. Multicomp Pro is the registered trademark of Premier Farnell Limited 2019.

Newark.com/multicomp-pro
Farnell.com/multicomp-pro
sg.element14.com/b/multicomp-pro

multicomp PRO