



Low Voltage Products

Switches

Switch fuses

OS32...160 A Gamma series

# Switch fuses for extreme conditions

## - OS 32...160 Gamma series

Numerous applications require switch fuses that can withstand extreme conditions. High voltages and high short circuit currents create a demand for superior performance without neglecting safety.

### Superior performance

- High  $U_i$  ratings
  - High CTI in supporting parts
  - The contact constructions are optimal, regardless of fuse type, DIN, BS, NFC or UL-type
  - Meets the requirements for installation close to the main transformer up to 100 kA in heavy industry and in ships
- ▶ High performance level and smart design makes OS Gamma switch fuses suitable for all applications in low voltage networks.



Our new series comprises of two frame sizes OS32G...63G\_ and OS100G...160G\_.



### Compact construction

- Intelligent construction in combination with a small number of components results in a very compact mechanism design
  - Very small footprint area
- ▶ Space savings mean cost reduction!

### Designed for safety

- The frame is made of robust plastic with excellent mechanical and thermal properties.
  - Voltage output pins (as standard)
  - Pole markings as standard
  - The fuse covers cannot be opened while the switch fuse is in the ON-position and can be sealed in the closed position.
- ▶ You take no risks with OS32...160 Gamma switch fuses



# Switch fuses OS32G...160G\_

## Technical data

### Technical data according to IEC 60947-3

		Switch size	A	OS 32	OS 50	OS 63	OS 125	OS 160
Rated insulation voltage	Pollution degree 3	V	1 000	1 000	1 000	1 000	1 000	1 000
Dielectric strength	50 Hz 1min.	kV	10	10	10	10	10	10
Rated impulse withstand voltage		kV	12	12	12	12	12	12
Rated thermal current in ambient 40 °C <sup>2)</sup> / max. fuse power dissipation <sup>1)</sup>	In enclosure	A/W	32/7.5	50/7.5	63/7.5	125/12	160/12	
...with minimum cable cross section	Cu	mm <sup>2</sup>	6	10	16	50	70	
Rated operational voltage AC-20 and DC-20		V	1 000	1 000	1 000	1 000	1 000	1 000
Rated operational current, AC-21	up to 500 V	A	32	50	63	125	160	
	690 V	A	32	50	63	125	160	
Rated operational current, AC-22	up to 500 V	A	32	50	63	125	160	
	690 V	A	32	50	63	125	160	
Rated operational current, AC-23	up to 500 V	A	32	50	63	125	160	
	690 V	A	32	50	63	125	160	
Rated operational power, AC-23 <sup>4)</sup>	The kW-ratings are accurate for three-phase 1500 R.P.M. standard asynchronous motors.	230 V	kW	7.5	11	18.5	37	45
		400 V	kW	15	22	30	55	75
		415 V	kW	15	22	30	55	75
		500 V	kW	18.5	30	37	75	90
		690 V	kW	22	37	55	110	132
Rated breaking capacity in category AC-23		up to 690 V	A	504	504	504	1280	1280
Rated conditional short-circuit current I <sub>p</sub> (r.m.s.) and corresponding max. allowed cut-off current $\hat{i}$	I <sub>p</sub> (r.m.s.)	100 kA, 500 V	kA	12	12	12	25	25
	Fuse size	OFAA/OFAM	A	63/63	63/63	63/63	160/160	160/160
Power loss / pole	With rated current, without fuse	W	1	2.5	4	5	9	
Mechanical endurance	Divide by two for oper. cycles	Oper.	20 000	20 000	20 000	20 000	20 000	20 000
Fuse types, IEC 60269-2-1	DIN 43620		000		000	000, 00	000, 00	
	NFC 63210, 63211			14x51		22x58		
	BS 88-2, -6 -size / distance of fuse-link bolts	mm	A2-A3		A2-A3	A2-A4 <sup>3)</sup>	A2-A4 <sup>3)</sup>	
			M5/73		M5/73	M5/73, M5/73,	M5/73, M5/73,	
						M8/94	M8/94	
Weight without accessories	3-pole switch fuses	kg	1.3	1.3	1.3	1.5	1.5	
	4-pole switch fuses	kg	1.6	1.6	1.6	1.8	1.8	
Built-in terminal size	Cu	mm <sup>2</sup>	2.5...25	2.5...25	2.5...25			
Terminal bolt size (included)	Metric thread diameter x length	mm				M8x25	M8x25	
Terminal tightening torque	Counter torque required	Nm	3.5	3.5	3.5	15-22	15-22	
Fuse-links bolts tightening torque		Nm	3.5		3.5	M5:3.5	M5:3.5	
						M8:5	M8:5	
Operating torque	Typical for 3-pole switch fuses	Nm	5	5	5	7	7	

<sup>1)</sup> Ambient temperature 60 °C: derating 20%.

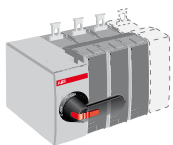
<sup>2)</sup> Acc. to IEC 60947-1, § 6.1.1.

<sup>3)</sup> Max. fuse body diam. 32 mm.

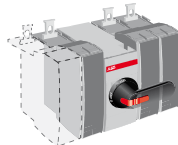
<sup>4)</sup> Some fuse links limit these figures further. Starting current characteristics must be considered separately

The technical data is valid at the time of printing. We reserve the right to subsequent alterations.

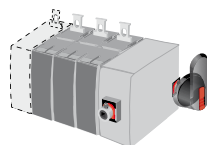
### Placing options of the operating mechanism



At the end of the switch fuse OS\_03 or 04



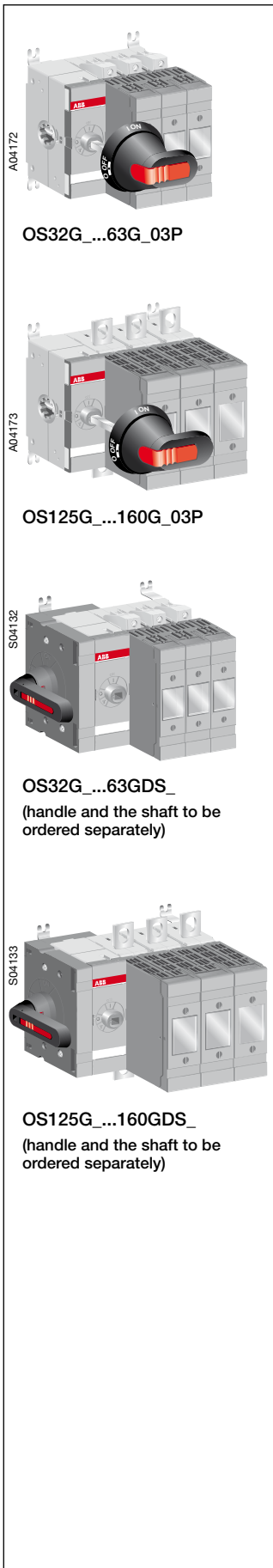
Between the poles OS\_12 or 22



Side operated types OS\_30 or 40 OS\_03 or 04

# Switch fuses OS32G...160G\_, DIN-types

## Ordering information



### Front operated switch fuses

Including a black ON-OFF plastic handle and shaft as standard. OS32G...63G\_ include protected tunnel terminals (IP20) and OS125G...160G include a terminal bolt kit. The handle is IP65 protected, padlockable in the OFF-position and with door interlock in the ON-position and when padlocked. The shaft is adjustable for a range of installation depths.

Rated op. current AC-20...23 ≤ 690V [A]	Rated op. power AC-23 400/500/690V [kW]	Fuse size	Number of poles	Type	Order number	Units/ type [pcs]	Weight/ unit [kg]
---	---	-----------	-----------------	------	--------------	-------------------	-------------------

#### Mechanism between the poles

32	15/18.5/22	000	3	OS32GD12P	1SCA114581R1001	1	1.3
32	15/18.5/22	000	4	OS32GD22N2P	1SCA115202R1001	1	1.6
63	30/37/55	000	3	OS63GD12P	1SCA115227R1001	1	1.3
63	30/37/55	000	4	OS63GD22N2P	1SCA115230R1001	1	1.6
125	55/75/110	000, 00	3	OS125GD12P	1SCA115641R1001	1	1.5
125	55/75/110	000, 00	4	OS125GD22N2P	1SCA115880R1001	1	1.8
160	75/90/132	000, 00	3	OS160GD12P	1SCA115643R1001	1	1.5
160	75/90/132	000, 00	4	OS160GD22N2P	1SCA115884R1001	1	1.8

#### Mechanism at the end of the switch fuse

32	15/18.5/22	000	3	OS32GD03P	1SCA115189R1001	1	1.3
32	15/18.5/22	000	4	OS32GD04N2P	1SCA115193R1001	1	1.6
63	30/37/55	000	3	OS63GD03P	1SCA115207R1001	1	1.3
63	30/37/55	000	4	OS63GD04N2P	1SCA115209R1001	1	1.6
125	55/75/110	000, 00	3	OS125GD03P	1SCA115639R1001	1	1.5
125	55/75/110	000, 00	4	OS125GD04N2P	1SCA115877R1001	1	1.8
160	75/90/132	000, 00	3	OS160GD03P	1SCA115399R1001	1	1.5
160	75/90/132	000, 00	4	OS160GD04N2P	1SCA115882R1001	1	1.8

### Side operated switch fuses without handle and shaft

OS32G...63G\_ include protected tunnel terminals (IP20) and OS125G...160G include a terminal bolt kit.

Rated op. current AC-20...23 ≤ 690V [A]	Rated op. power AC-23 400/500/690V [kW]	Fuse size	Number of poles	Type	Order number	Units/ type [pcs]	Weight/ unit [kg]
32	15/18.5/22	000	3	OS32GDS30	1SCA115963R1001	1	1.3
32	15/18.5/22	000	4	OS32GDS40N2	1SCA116046R1001	1	1.6
63	30/37/55	000	3	OS63GDS30	1SCA116007R1001	1	1.3
63	30/37/55	000	4	OS63GDS40N2	1SCA116047R1001	1	1.6
125	55/75/110	000, 00	3	OS125GDS30	1SCA115966R1001	1	1.5
125	55/75/110	000, 00	4	OS125GDS40N2	1SCA115967R1001	1	1.8
160	75/90/132	000, 00	3	OS160GDS30	1SCA115968R1001	1	1.5
160	75/90/132	000, 00	4	OS160GDS40N2	1SCA115969R1001	1	1.8

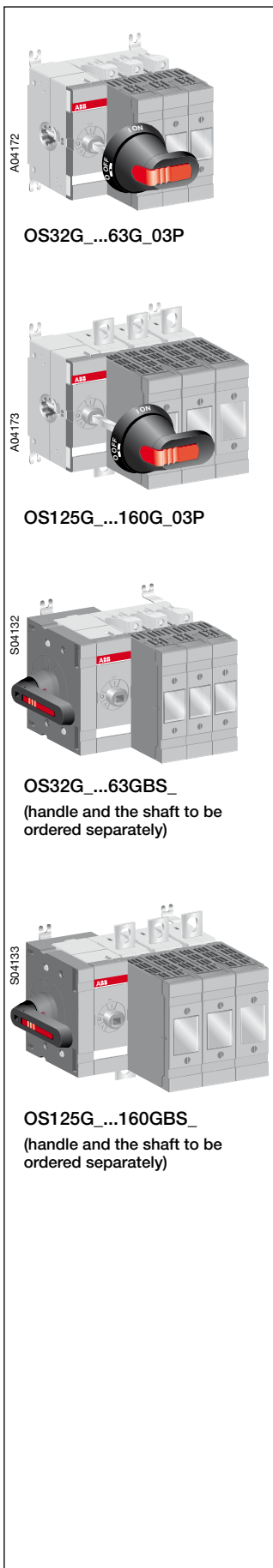
### Shafts and handles included as standard / Front operated switch fuses

Suitable for switches	Included shaft	Included handle	Included terminal bolts
OS32G...63G_	OX P6X161	OHB45J6	
OS125G...160G_	OX P6X161	OHB65J6	M8x25

OS\_N2\_ = Non-fused neutral on the right side

# Switch fuses OS32G...160G\_, BS-types

## Ordering information



### Front operated switch fuses

Including a black ON-OFF plastic handle and shaft as standard. OS32G...63G\_ include protected tunnel terminals (IP20) and OS125G...160G include a terminal bolt kit. The handle is IP65 protected, padlockable in the OFF-position and with door interlock in the ON-position and when padlocked. The shaft is adjustable for a range of installation depths.

Rated op. current AC-20...23 ≤ 690V [A]	Rated op. power AC-23 400/500/690V [kW]	Fuse size	Number of poles	Type	Order number	Units/type [pcs]	Weight/unit [kg]
---	---	-----------	-----------------	------	--------------	------------------	------------------

#### Mechanism between the poles

32	15/18.5/22	A2, A3	3	OS32GB12P	1SCA115331R1001	1	1.3
32	15/18.5/22	A2, A3	4	OS32GB22N1P	1SCA115345R1001	1	1.6
63	30/37/55	A2, A3	3	OS63GB12P	1SCA115325R1001	1	1.3
63	30/37/55	A2, A3	4	OS63GB22N1P	1SCA114601R1001	1	1.6
125	55/75/110	A2, A3, A4 <sup>1)</sup>	3	OS125GB12P	1SCA114603R1001	1	1.5
125	55/75/110	A2, A3, A4 <sup>1)</sup>	4	OS125GB22N1P	1SCA115903R1001	1	1.8
160	75/90/132	A2, A3, A4 <sup>1)</sup>	3	OS160GB12P	1SCA115637R1001	1	1.5
160	75/90/132	A2, A3, A4 <sup>1)</sup>	4	OS160GB22N1P	1SCA115899R1001	1	1.8

#### Mechanism at the end of the switch fuse

32	15/18.5/22	A2, A3	3	OS32GB03P	1SCA115259R1001	1	1.3
32	15/18.5/22	A2, A3	4	OS32GB04N1P	1SCA114610R1001	1	1.6
63	30/37/55	A2, A3	3	OS63GB03P	1SCA115235R1001	1	1.3
63	30/37/55	A2, A3	4	OS63GB04N1P	1SCA115238R1001	1	1.6
125	55/75/110	A2, A3, A4 <sup>1)</sup>	3	OS125GB03P	1SCA115634R1001	1	1.5
125	55/75/110	A2, A3, A4 <sup>1)</sup>	4	OS125GB04N1P	1SCA115901R1001	1	1.8
160	75/90/132	A2, A3, A4 <sup>1)</sup>	3	OS160GB03P	1SCA115413R1001	1	1.5
160	75/90/132	A2, A3, A4 <sup>1)</sup>	4	OS160GB04N1P	1SCA115896R1001	1	1.8

### Side operated switch fuses without handle and shaft

OS32G...63G\_ include protected tunnel terminals (IP20) and OS125G...160G include a terminal bolt kit.

Rated op. current AC-20...23 ≤ 690V [A]	Rated op. power AC-23 400/500/690V [kW]	Fuse size	Number of poles	Type	Order number	Units/type [pcs]	Weight/unit [kg]
32	15/18.5/22	A2, A3	3	OS32GBS30	1SCA115955R1001	1	1.3
32	15/18.5/22	A2, A3	4	OS32GBS40N1	1SCA115956R1001	1	1.6
63	30/37/55	A2, A3	3	OS63GBS30	1SCA115957R1001	1	1.3
63	30/37/55	A2, A3	4	OS63GBS40N1	1SCA115978R1001	1	1.6
125	55/75/110	A2, A3, A4 <sup>1)</sup>	3	OS125GBS30	1SCA116048R1001	1	1.5
125	55/75/110	A2, A3, A4 <sup>1)</sup>	4	OS125GBS40N1	1SCA115959R1001	1	1.8
160	75/90/132	A2, A3, A4 <sup>1)</sup>	3	OS160GBS30	1SCA115960R1001	1	1.5
160	75/90/132	A2, A3, A4 <sup>1)</sup>	4	OS160GBS40N1	1SCA115961R1001	1	1.8

### Shafts and handles included as standard / Front operated switch fuses

Suitable for switches	Included shaft	Included handle	Included terminal bolts
OS32G...63G_ OS125G...160G_	OXF6X161OHB45J6 OXF6X161OHB65J6		M8x25

1) Max. fuse diameter 32 mm  
OS\_N1\_ = Non-fused neutral on the left side

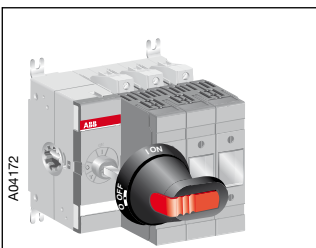


# Switch fuses OS32G...160G\_, NFC-types

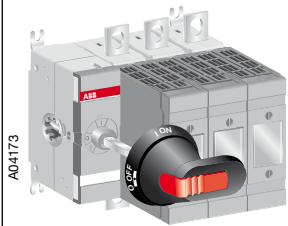
## Ordering information

### Front operated switch fuses

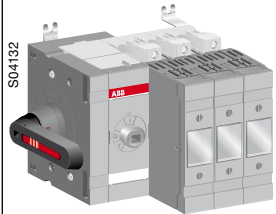
Including a black ON-OFF plastic handle and shaft as standard. OS50G\_ include protected tunnel terminals (IP20) and OS125G include a terminal bolt kit. The handle is IP65 protected, padlockable in the OFF-position and with door interlock in the ON-position and when padlocked. The shaft is adjustable for a range of installation depths.



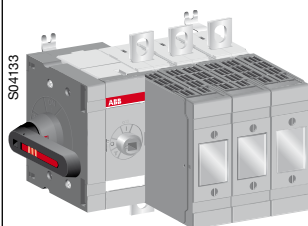
OS50G\_03P



OS125G\_03P



OS50GFS\_  
(handle and the shaft to be ordered separately)



OS125GFS\_  
(handle and the shaft to be ordered separately)

Rated op. current AC-20...23 ≤ 690V [A]	Rated op. power AC-23 400/500/690V [kW]	Fuse size	Number of poles	Type	Order number	Units/type [pcs]	Weight/unit [kg]
--	--	-----------	-----------------	------	--------------	------------------	------------------

#### Mechanism between the poles

50	22/30/37	14x51	3	OS50GF12P	1SCA115553R1001	1	1.3
50	22/30/37	14x51	4	OS50GF22N1P	1SCA114622R1001	1	1.6
50	22/30/37	14x51	4	OS50GF22FP	1SCA114623R1001	1	1.6
125	55/75/110	22x58	3	OS125GF12P	1SCA114624R1001	1	1.5
125	55/75/110	22x58	4	OS125GF22N1P	1SCA115893R1001	1	1.8
125	55/75/110	22x58	4	OS125GF22FP	1SCA115614R1001	1	1.8

#### Mechanism at the end of the switch fuse

50	22/30/37	14x51	3	OS50GF03P	1SCA115492R1001	1	1.3
50	22/30/37	14x51	4	OS50GF04N1P	1SCA115495R1001	1	1.6
50	22/30/37	14x51	4	OS50GF04FP	1SCA115498R1001	1	1.6
125	55/75/110	22x58	3	OS125GF03P	1SCA115602R1001	1	1.5
125	55/75/110	22x58	4	OS125GF04N1P	1SCA115888R1001	1	1.8
125	55/75/110	22x58	4	OS125GF04FP	1SCA115606R1001	1	1.8

### Side operated switch fuses without handle and shaft

OS50G\_ include protected tunnel terminals (IP20) and OS125G include a terminal bolt kit.

Rated op. current AC-20...23 ≤ 690V [A]	Rated op. power AC-23 400/500/690V [kW]	Fuse size	Number of poles	Type	Order number	Units/type [pcs]	Weight/unit [kg]
50	22/30/37	14x51	3	OS50GFS30	1SCA116050R1001	1	1.3
50	22/30/37	14x51	4	OS50GFS40N1	1SCA116058R1001	1	1.6
50	22/30/37	14x51	4	OS50GFS40F	1SCA116014R1001	1	1.6
125	55/75/110	22x58	3	OS125GFS30	1SCA115973R1001	1	1.5
125	55/75/110	22x58	4	OS125GFS40N1	1SCA115974R1001	1	1.8
125	55/75/110	22x58	4	OS125GFS40F	1SCA115975R1001	1	1.8

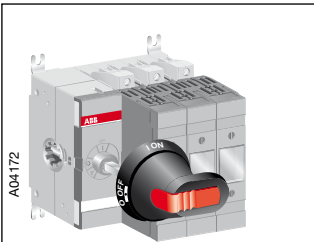
### Shafts and handles included as standard / Front operated switch fuses

Suitable for switches	Included shaft	Included handle	Included terminal bolts
OS50G_	OSP6X161	OHB45J6	
OS125G_	OSP6X161	OHB65J6	M8x25

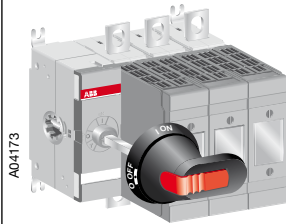
OS\_N1\_ = Non-fused neutral on the left side  
OS\_F\_ = Fused neutral

# Switch fuses OS32G...160G\_, UL-types

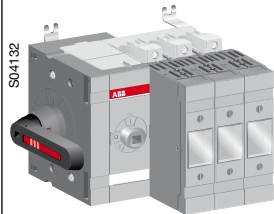
## Ordering information



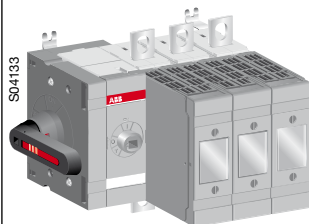
OS60G\_03P



OS100G\_03P



OS60GJS\_  
(handle and the shaft to be ordered separately)



OS100GJS\_  
(handle and the shaft to be ordered separately)

### Front operated switch fuses

Including a black ON-OFF plastic handle and shaft as standard. OS60G\_ include protected tunnel terminals (IP20) and OS100G\_ include a terminal bolt kit. The handle is IP65 protected, Nema type 1, 3R, 12, padlockable in the OFF-position and with door interlock in the ON-position and when padlocked. The shaft is adjustable for a range of installation depths.

Ampere rating [A]	Horse power ratings 3-phase 240/480/600V [HP]	Fuse size	Number of poles	Type	Order number	Units/type [pcs]	Weight/unit [kg]
-------------------	---	-----------	-----------------	------	--------------	------------------	------------------

#### Mechanism between the poles

60	15/30/50	J, 60A	3	OS60GJ12P	1SCA115449R1001	1	1.3
60	15/30/50	J, 60A	4	OS60GJ22FP	1SCA115469R1001	1	1.6
100	30/60/75	J, 100A	3	OS100GJ12P	1SCA115666R1001	1	1.5
100	30/60/75	J, 100A	4	OS100GJ22FP	1SCA114636R1001	1	1.8

#### Mechanism at the end of the switch fuse

60	15/30/50	J, 60A	3	OS60GJ03P	1SCA115443R1001	1	1.3
60	15/30/50	J, 60A	4	OS60GJ04FP	1SCA115446R1001	1	1.6
100	30/60/75	J, 100A	3	OS100GJ03P	1SCA114639R1001	1	1.5
100	30/60/75	J, 100A	4	OS100GJ04FP	1SCA115439R1001	1	1.8

### Side operated switch fuses without handle and shaft

OS60G\_ include protected tunnel terminals (IP20) and OS100G include a terminal bolt kit.

Ampere rating [A]	Horse power ratings 3-phase 240/480/600V [HP]	Fuse size	Number of poles	Type	Order number	Units/type [pcs]	Weight/unit [kg]
60	15/30/50	J, 60A	3	OS60GJS30	1SCA116051R1001	1	1.3
60	15/30/50	J, 60A	4	OS60GJS40F	1SCA115970R1001	1	1.6
100	30/60/75	J, 100A	3	OS100GJS30	1SCA115971R1001	1	1.5
100	30/60/75	J, 100A	4	OS100GJS40F	1SCA115972R1001	1	1.8

### Shafts and handles included as standard / Front operated switch fuses

Suitable for switches	Included shaft	Included handle	Included terminal bolts
OS60G_	OXp6X161	OHB45J6	M8x25
OS100G_	OXp6X161	OHB65J6	

# Switch fuses OS32G...160G\_, NFC-types

## Ordering information

### Optional handles, IP 65

For front operated switch fuses

Padlockable with 3 padlocks in the OFF-position, door interlock in the ON-position. Units/type = 1 pcs. Screw fixing from the back side of the handle, no screws on the front, ensures double protection.

Colour	Handle length [mm]	Type	Order number	Delivery batch [pcs]	Weight /unit [kg]
--------	--------------------	------	--------------	----------------------	-------------------

For shaft diameter 6 mm

Plastic handles, black and red-yellow: I-O/ON-OFF, grey: I-O.

Black	45	OHB45J6	1SCA022380R8770	100	0.12
Red-Yellow	45	OHY45J6	1SCA022380R8930	100	0.12
Black	65	OHB65J6	1SCA022380R9660	100	0.12
Red-Yellow	65	OHY65J6	1SCA022380R9820	100	0.12
Grey	65	OHG65J6	1SCA022380R9740	100	0.12

Plastic handles, black and red-yellow: Test/I-O/ON-OFF, grey: Test/I-O.

Black	45	OHB45J6T	1SCA109870R1001	100	0.12
Black	65	OHB65J6T	1SCA022399R8110	100	0.12
Red-Yellow	65	OHY65J6T	1SCA022456R9540	100	0.12
Grey	65	OHG65J6T	1SCA022456R9620	100	0.12

### Extended shafts

Units/type = 1 piece

Shaft length [mm]	Front operated H / [mm]	Side operated H / [mm]	Type	Order number	Delivery batch [pcs]	Weight /unit [kg]
-------------------	-------------------------	------------------------	------	--------------	----------------------	-------------------

For OS 32...63<sup>2)</sup>, shaft diameter 6 mm

150	130...249	210...272	OSP6X150	1SCA022295R5600	10	0.05
161	141...260	221...283	OSP6X161 <sup>3)</sup>	1SCA022067R1760	10	0.05
210	190...309	270...332	OSP6X210	1SCA022295R6080	10	0.06
290	270...389	350...412	OSP6X290	1SCA022042R6370	10	0.08
360	340...459	420...482	OSP6X360	1SCA022042R6530	10	0.1
430	410...529	490...552	OSP6X430	1SCA022056R6030	10	0.12
210	190...309	270...332	OSP6X210-45 <sup>1)</sup>	1SCA022294R4230	10	0.06
290	270...389	350...412	OSP6X290-45 <sup>1)</sup>	1SCA022304R4290	10	0.08

For OS 100...160<sup>2)</sup>, shaft diameter 6 mm

150	140...252	202.5...316	OSP6X150	1SCA022295R5600	10	0.05
161	140...263	202.5...327	OSP6X161 <sup>3)</sup>	1SCA022067R1760	10	0.05
210	189...312	206...376	OSP6X210	1SCA022295R6080	10	0.06
290	269...392	286...456	OSP6X290	1SCA022042R6370	10	0.08
360	339...462	345...515	OSP6X360	1SCA022042R6530	10	0.1
430	409...532	415...585	OSP6X430	1SCA022056R6030	10	0.12
210	189...312	206...376	OSP6X210-45 <sup>1)</sup>	1SCA022294R4230	10	0.06
290	269...392	286...456	OSP6X290-45 <sup>1)</sup>	1SCA022304R4290	10	0.08

### Fourth Poles

Snap-on mounting to the side of the switch.

Suitable for 3-pole switches	Mounting side	Type	Order number	Units/type [pcs]	Weight [kg]
------------------------------	---------------	------	--------------	------------------	-------------

Fusible 4. poles

OS125G_...160G_, DIN-type	Left/right	OSP160GD	1SCA114768R1001	1	0.40
OS125G_...160G_, BS-type	Left/right	OSP160GB	1SCA114769R1001	1	0.40

Switched 4. poles

OS100G_...160G_, N-type	Left/right	OSP160GN	1SCA114770R1001	1	0.40
-------------------------	------------	----------	-----------------	---	------

### Terminal shrouds

Suitable for switches	Number of poles	Description	Type	Order number	Units/type [pcs]	Weight [kg]
-----------------------	-----------------	-------------	------	--------------	------------------	-------------

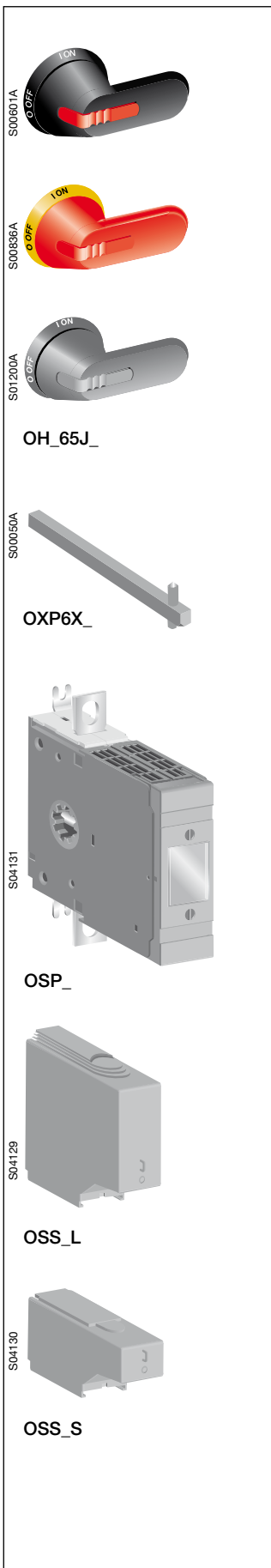
Pack of single pole terminal shrouds, snap-on mounting, grey plastic, IP 3X. Transparent shrouds available on request.

OS100G_...160G_	3	Long type	OSS160GG1L/3	1SCA114764R1001	3	0.10
OS100G_...160G_	3	Short type	OSS160GG1S/3	1SCA114766R1001	3	0.07
OS100G_...160G_	4	Long type	OSS160GG1L/4	1SCA114765R1001	4	0.12
OS100G_...160G_	4	Short type	OSS160GG1S/4	1SCA114767R1001	4	0.08

<sup>1)</sup> The shaft position is rotated 45 degrees

<sup>2)</sup> Side operated, 4-pole: OS 32...63: add 45 mm, OS 100...160: add 35 mm

<sup>3)</sup> Included as standard

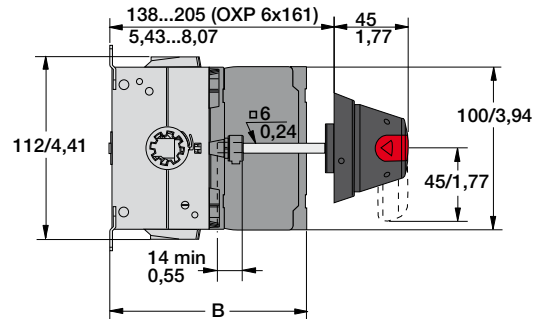
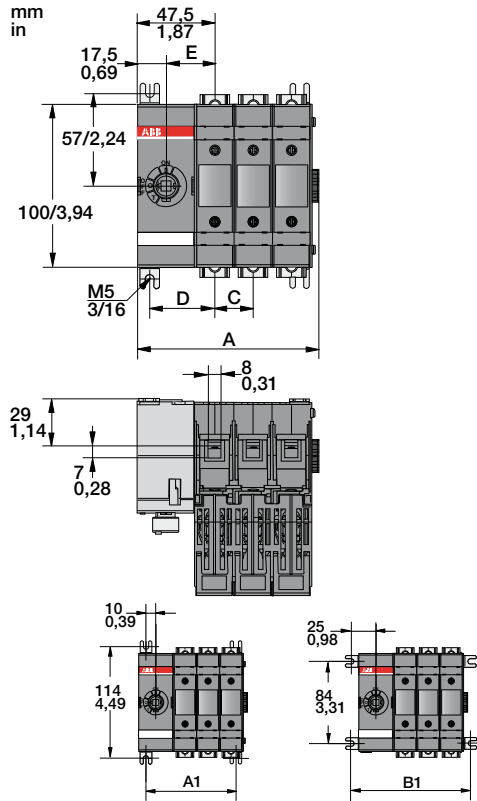




# Switch fuses OS32G...160G\_

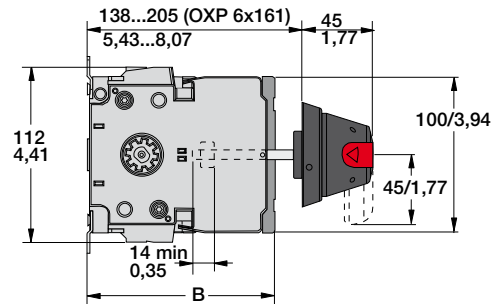
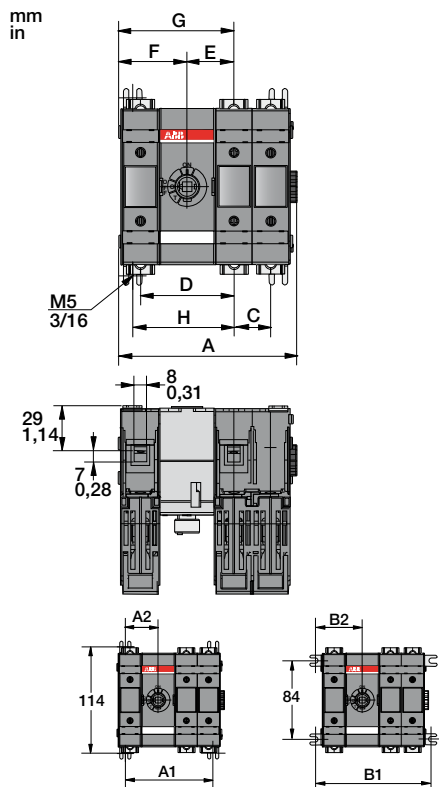
## Dimension drawings

### OS32...63G\_



M00287/OS32-63G\_01-04\_A

	OS32-63GD				OS32-63GB/F				OS60GJ			
	mm				mm				mm / in			
	D01	D02	D03	D04	B/F01	B/F02	B/F03	B/F04	J01	J02	J03	J04
A	64,5	88	111,5	135,5	64,5	88	111,5	135,5	74,5/2,93	109,5/4,31	144,5/5,69	179,5/7,07
B	120,5	120,5	120,5	120,5	108,5	108,5	108,5	108,5	118/4,65	118/4,65	118/4,65	118/4,65
C	-	23,5	23,5	23,5	-	23,5	23,5	23,5	-	35/1,38	35/1,38	35/1,38
D	40	40	40	40	40	40	40	40	45,5/1,79	45,5/1,79	45,5/1,79	45,5/1,79
E	30	30	30	30	30	30	30	30	36/1,41	36/1,41	36/1,41	36/1,41
A1	45	68,5	92	111,5	45	68,5	92	111,5	51/2,01	86/3,39	121/4,76	156/6,14
B1	75	98,5	122	145,5	75	98,5	122	145,5	81/3,19	116/4,57	151/5,94	186/7,32



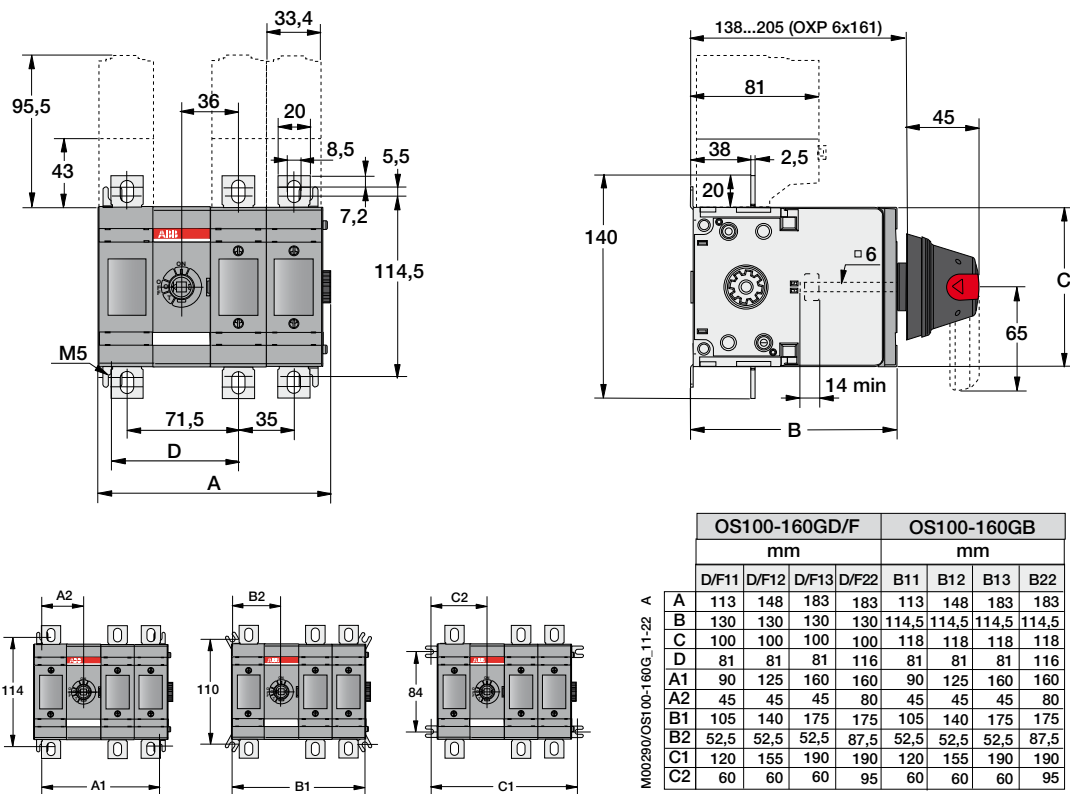
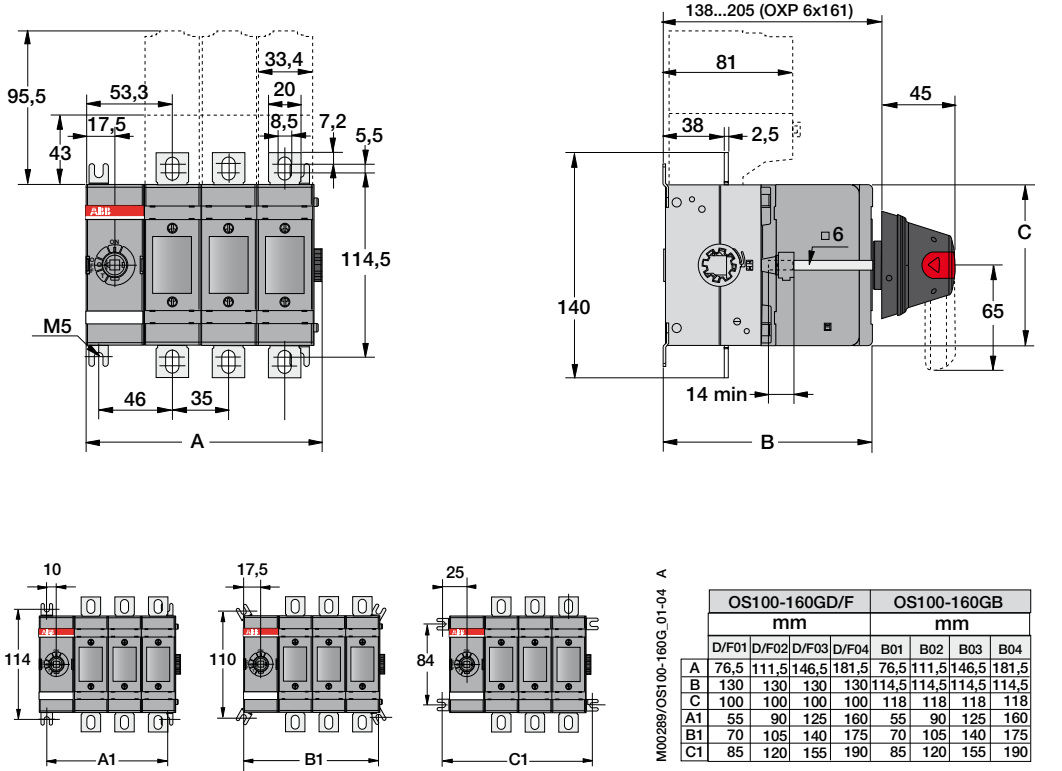
M00288/OS32-63G\_11-22\_A

	OS32-63GD				OS32-63GB/F				OS60GJ			
	mm				mm				mm / in			
	D11	D12	D13	D22	B/F11	B/F12	B/F13	B/F22	J11	J112	J13	J22
A	91	114,5	138	138	91	114,5	138	138	74,5/2,93	148/5,82	183,5/7,20	179,5/8,58
B	120,5	120,5	120,5	120,5	108,5	108,5	108,5	108,5	118/4,65	118/4,65	118/4,65	118/4,65
C	-	23,5	23,5	23,5	-	23,5	23,5	23,5	-	35/1,38	35/1,38	35/1,38
D	60	60	60	60	60	60	60	60	71,5/2,81	71,5/2,81	71,5/2,81	71,5/2,81
E	30	30	30	30	30	30	30	30	36/1,41	36/1,41	36/1,41	36/1,41
F	44	44	44	67,5	44	44	44	67,5	55,5/2,19	55,5/2,19	55,5/2,19	90,5/3,56
G	74	74	74	97,5	74	74	74	97,5	91,5/3,6	91,5/3,6	91,5/3,6	126,5/4,98
A1	70	93,5	117	117	70	93,5	117	117	81,5/3,21	116,5/4,59	151,5/5,96	151,5/5,96
A2	35	35	35	58,5	35	35	35	58,5	40,5/1,59	40,5/1,59	40,5/1,59	75,5/2,97
B1	75	123,5	147	147	75	123,5	147	147	111,5/4,39	146,5/5,77	181,5/7,15	181,5/7,15
B2	50	50	50	73,5	50	50	50	73,5	70,5/2,78	70,5/2,78	70,5/2,78	105,5/4,15

# Switch fuses OS32G...160G\_

## Dimension drawings

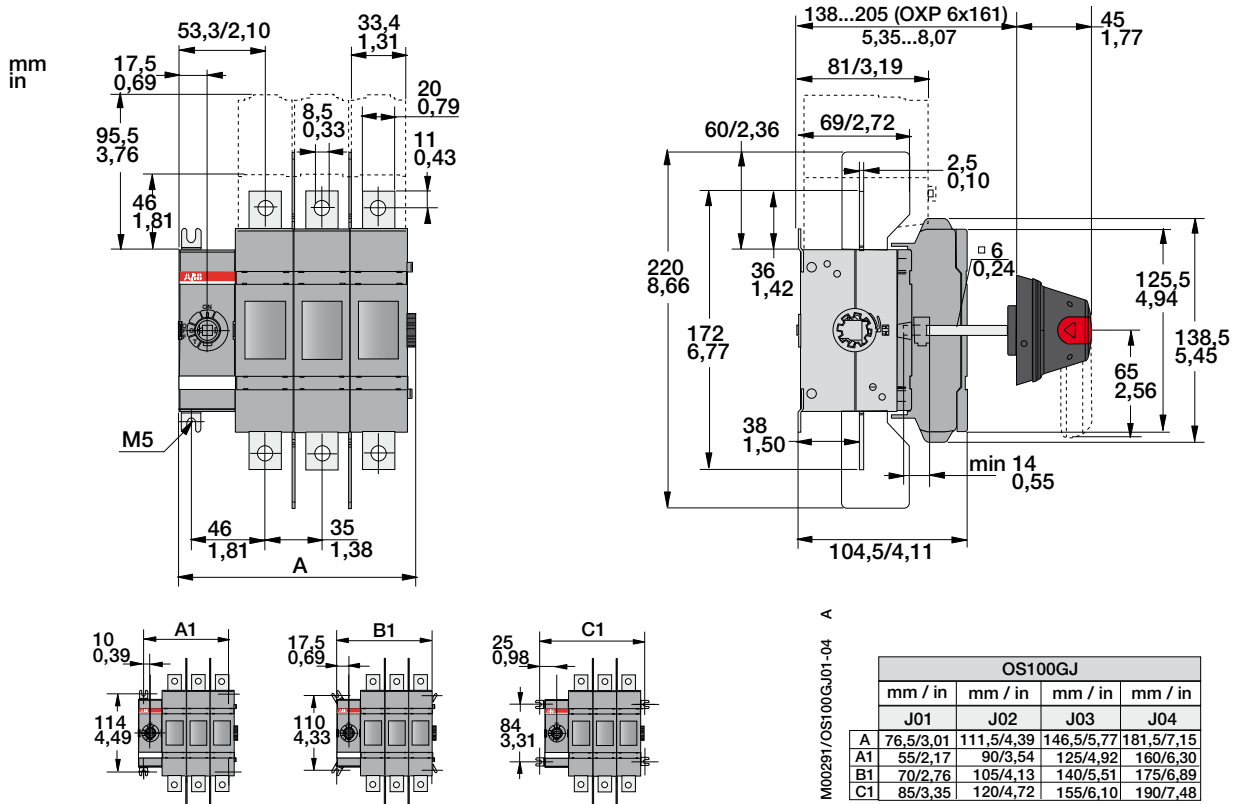
### OS125...160G\_



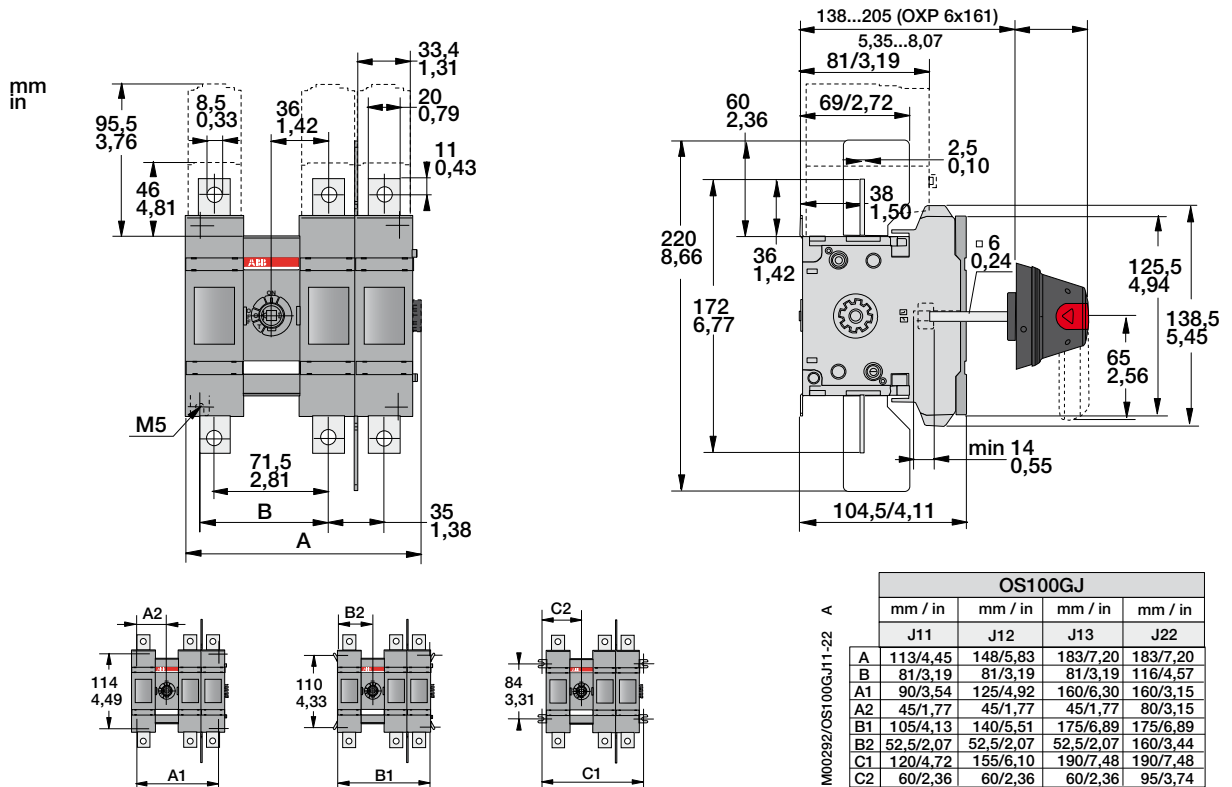
# Switch fuses OS32G...160G\_

## Dimension drawings

### OS100GJ\_



The measurements in the dimension drawings are preliminary and may be altered.



# Contact us

## ABB Oy

### Low Voltage Products

P.O. Box 622

FI-65101 Vaasa, Finland

Phone: +358 10 22 11

Fax: +358 22 45708

E-Mail: [firstname.surname@fi.abb.com](mailto:firstname.surname@fi.abb.com)

[www.abb.com](http://www.abb.com)

The technical data and dimensions are valid at the time of printing. We reserve the right to subsequent alterations.

