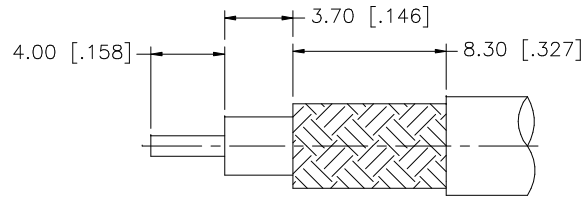
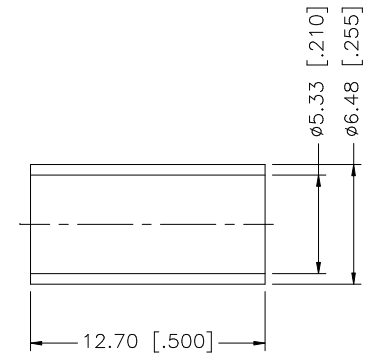
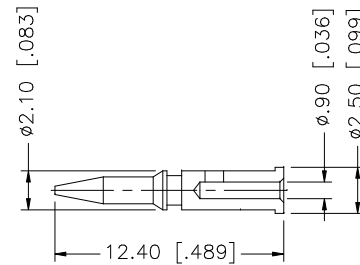
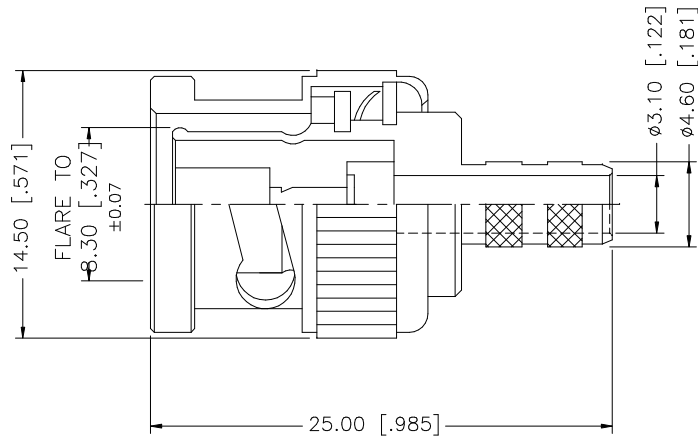


REV.	DATE	DESCRIPTION
NC	02/07/06	INITIAL RELEASE



RECOMMENDED
CABLE STRIPPING DIMS.



NOTE:

1. CRIMPED FERRULE
HEX CRIMP SIZE .213"
2. CRIMPED CONTACT PIN
HEX CRIMP SIZE .068"

					APPROVALS	DATE	<h1>Amphenol Connex</h1>				
8					DRAWN	G.R.S.					02/07/06
7					CHECKED			PART NO. 112116-10			
6					ISSUED						
5					SHEET	1 OF 1		REV. NC SIZE A SCALE NA			
4	FERRULE	COPPER	NICKEL	1							
3	CONTACT PIN	BRASS	GOLD	1				CAD FILE C:/112/112116-10.DWG			
2	INSULATOR	TEFLON	NATURAL	1							
1	SHELL/BODY	BRASS	NICKEL	1				UNLESS OTHERWISE SPECIFIED DIMENSIONS ARE IN MILLIMETERS. DIMENSIONS IN [] ARE IN INCHES AND FOR CUSTOMER REFERENCE ONLY.			
	DESCRIPTION	MATERIAL	FINISH	QTY							