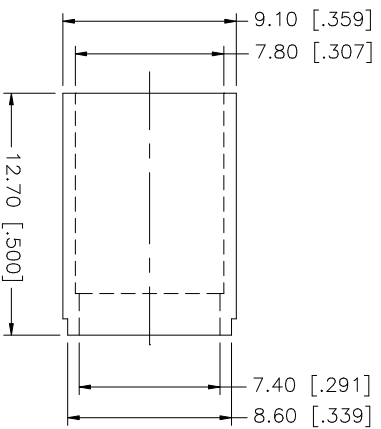
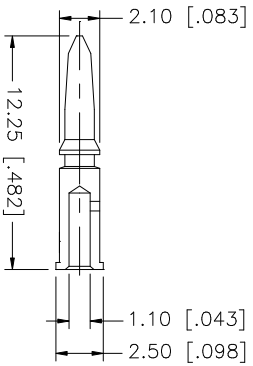
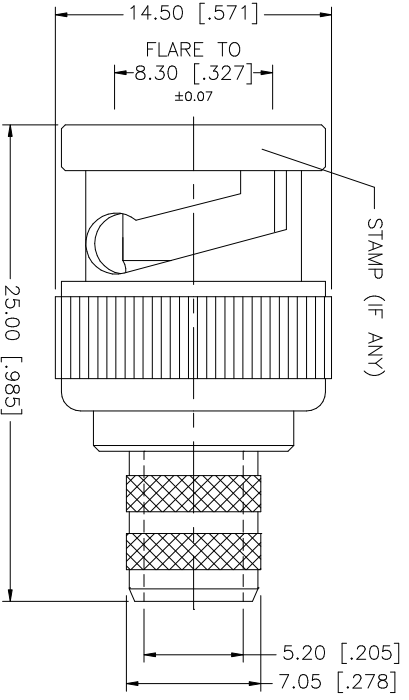
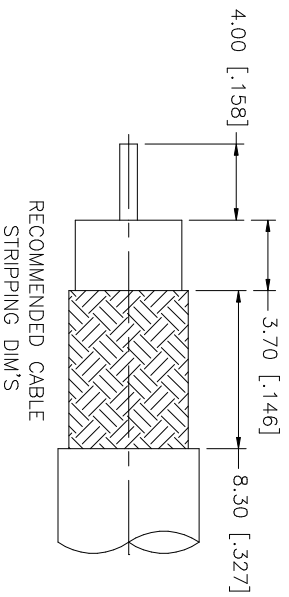


REV.	DATE	DESCRIPTION
A	04/05/03	UPDATE DRAWING FORMAT
B	02/21/06	UPDATE PART DESCRIPTION - ADD "1694A"



CRIMP NOTES:

1. CRIMPED FERRULE - HEX CRIMP SIZE .320".
2. CRIMPED CONTACT PIN - HEX CRIMP SIZE .068".

8												
7												
6												
5	FERRULE	COPPER	NICKEL	1								
4	GASKET	RUBBER	RED	1								
3	INSULATOR	DELFIN	NATURAL	1								
2	CONTACT PIN	BRASS	GOLD	1								
1	SHELL/BODY	BRASS	NICKEL	1								
DESCRIPTION		MATERIAL		FINISH		QTY						
UNLESS OTHERWISE SPECIFIED DIMENSIONS ARE INCHES AND FOR CUSTOMER REFERENCE ONLY.												
UNLESS OTHERWISE SPECIFIED TOLERANCES FOR MILLIMETERS ARE:												
0.5 - 8mm ± 0.20mm												
8 - 30mm ± 0.40mm												
30 - 120mm ± 0.50mm												
UNLESS OTHERWISE SPECIFIED TOLERANCES FOR INCHES ARE:												
.020 - .315 = ± 0.007"												
.315 - 1.180 = ± 0.015"												
1.180 - 4.724 = ± 0.020"												
DO NOT SCALE DRAWING				APPROVALS								DATE
				DRAWN		G.R.S.		02/21/06				
				CHECKED								
				ISSUED								
				SHEET		1 OF 1						
				CAD FILE		C:/112/112565.DWG						
				DWG. NO.		112565.DWG						
				REV.		B						
				SIZE		A						
				SCALE		NA						
		Amphenol Connex										
		BNC CRIMP PLUG										
		(FOR BELDEN 9248, 1694A RG-6/U TYPE)										
		1 12565										