

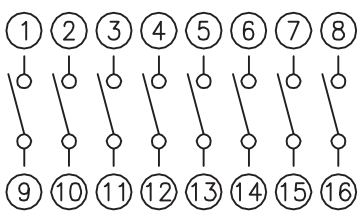
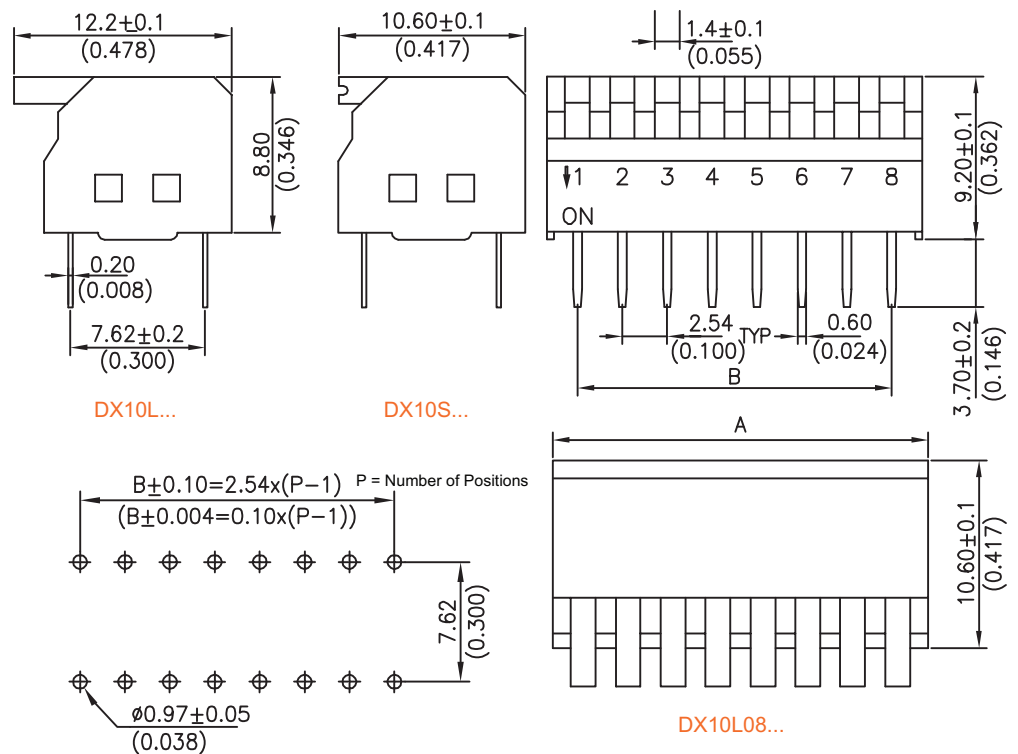
DIP Switches

Piano Type DIP Switch

DX10 Series



Unit: mm (inch)
General Tolerance: ±0.2mm



CIRCUIT

P.C.B. LAYOUT

SPECIFICATIONS

- > Rating: 25mA24VDC (Switching)
100mA50VDC (Non-Switching)
- > Contact Resistance: 50 mOhms Max. (initial)
100 mOhms Max. after Life-Test
- > Insulation Resistance: 100 MOhms Min. (500VDC)
- > Dielectric Strength: 500VAC 1 Minute
- > Capacitance: 5pF Max.
- > Operating Force: 400gf Max.
- > Stroke: 2.0mm
- > Operating Life: 2,000 Cycles (25mA25VDC)
- > Operating Temperature: -25°C ~ +70°C
- > Soldering Conditions: 30 watts, 320°C 2 Seconds Max.
- > Packaging: In IC Tubes with all Positions in "OFF"

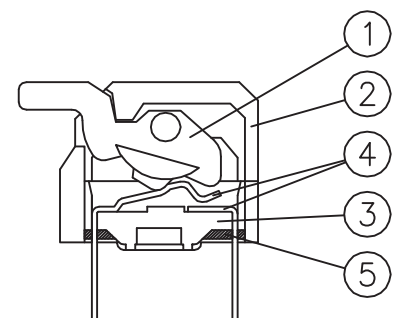
MATERIALS

1. Actuators: Thermoplastic UL94V-0 white
2. Cover: Thermoplastic UL94V-0 blue, red or black
3. Base: Thermoplastic UL94V-0 black
4. Terminals: Phosphor Bronze with Gold plated
5. Potting: Epoxy black

HOW TO ORDER:

DX10 1 2 3 4 5

- | | | | | |
|--|--|---|---|-------------------------------|
| 1 ACTUATOR TYPE:
L Long Actuators
S Short Actuators | 2 NO. OF POSITIONS:
02 2 Positions
03 3 Positions
04 4 Positions
05 5 Positions
06 6 Positions
08 8 Positions
10 10 Positions
12 12 Positions | 3 COLOR OF COVER:
G Blue (Standard)
C Red
A Black | 4 TAPE:
- Without Tape (Standard)
T With Tape sealed | 5 PACKAGING:
- Tube |
|--|--|---|---|-------------------------------|



P/N	No. of Positions "P"	Dimension "A"
DX10...02...	2	6.26(0.246)
DX10...03...	3	9.06(0.357)
DX10...04...	4	11.34(0.446)
DX10...05...	5	13.88(0.546)
DX10...06...	6	16.42(0.646)
DX10...08...	8	21.50(0.846)
DX10...10...	10	26.58(1.046)
DX10...12...	12	31.60(1.244)