

Extension module - PSR-SPP- 24DC/URD3/4X1/2X2/3 - 2981745

Please be informed that the data shown in this PDF Document is generated from our Online Catalog. Please find the complete data in the user's documentation. Our General Terms of Use for Downloads are valid (<http://download.phoenixcontact.com>)



Single-channel contact extension with TBUS interface, 4 N/O contacts, 1 N/C contact, 1 confirmation current path, the contacts have a release delay (0.3 s - 3 s), Cat. 3 PL e according to EN 13849, plug-in terminal blocks with spring-cage connection, width: 2.5 mm

The figure shows a version with a screw connection



Key commercial data

package_quantity	1
GTIN	4046356103688

Technical data

Note:

Utilization restriction	EMC: class A product, see manufacturer's declaration in the download area
-------------------------	---

Dimensions

Width	22.5 mm
Height	112 mm
Depth	114.5 mm

Ambient conditions

Ambient temperature (operation)	-20 °C ... 55 °C
Ambient temperature (storage/transport)	-40 °C ... 70 °C

Input data

Nominal input voltage U_N	24 V DC
Input voltage range in reference to U_N	0.85 ... 1.1
Typical input current at U_N	84 mA
Typical response time	20 ms
Typical release time range	0.3 s ... 3 s + 50% (adjustable)
Recovery time	1 s

Output data

Contact type	4 delayed enabling current paths
Contact type	1 delayed signaling current path
Contact type	1 delayed confirmation current path

Extension module - PSR-SPP- 24DC/URD3/4X1/2X2/3 - 2981745

Technical data

Output data

Contact material	AgSnO ₂
Maximum switching voltage	250 V AC/DC
Minimum switching voltage	15 V AC/DC
Limiting continuous current	6 A (N/O contact)
Limiting continuous current	3 A (N/C contact)
Maximum inrush current	6 A (N/O contact)
Maximum inrush current	3 A (N/C contact)
Inrush current, minimum	25 mA
Sq. Total current	$50 \text{ A}^2 (I_{\text{TH}}^2 = I_1^2 + I_2^2 + I_3^2 + I_4^2)$
Interrupting rating (ohmic load) max.	144 W (24 V DC, $\tau = 0 \text{ ms}$, N/C contact 65/66: 72 W)
Interrupting rating (ohmic load) max.	288 W (48 V DC, $\tau = 0 \text{ ms}$, N/C contact 65/66: 144 W)
Interrupting rating (ohmic load) max.	77 W (110 V DC, $\tau = 0 \text{ ms}$)
Interrupting rating (ohmic load) max.	88 W (220 V DC, $\tau = 0 \text{ ms}$)
Interrupting rating (ohmic load) max.	1500 VA (250 V AC, $\tau = 0 \text{ ms}$, N/C contact 65/66: 750 VA)
Maximum interrupting rating (inductive load)	48 W (24 V DC, $\tau = 40 \text{ ms}$)
Maximum interrupting rating (inductive load)	40 W (48 V DC, $\tau = 40 \text{ ms}$)
Maximum interrupting rating (inductive load)	35 W (110 V DC, $\tau = 40 \text{ ms}$)
Maximum interrupting rating (inductive load)	33 W (220 V DC, $\tau = 40 \text{ ms}$)
Switching capacity min.	0.4 W
Output fuse	10 A gL/gG NEOZED (N/O contact)
Output fuse	4 A gL/gG NEOZED (N/C contact)

General

Relay type	Electromechanically forcibly guided, dust-proof relay.
Mechanical service life	Approx. 10^7 cycles
Mounting position	Any
Category according to EN 13849-1	3
Stop category	1
Name	Air and creepage distances between the power circuits
Standards/regulations	DIN EN 50178/VDE 0160
Rated surge voltage / insulation	4 kV / basic isolation (safe isolation, reinforced insulation and 6 kV between input circuit/N/C contacts and enabling current paths).
Rated insulation voltage	250 V
Pollution degree	2
Surge voltage category	III

Connection data

Conductor cross section solid min.	0.2 mm ²
Conductor cross section solid max.	1.5 mm ²
Conductor cross section stranded min.	0.2 mm ²
Conductor cross section stranded max.	1.5 mm ²
Conductor cross section AWG/kcmil min.	24

Extension module - PSR-SPP- 24DC/URD3/4X1/2X2/3 - 2981745

Technical data

Connection data

Conductor cross section AWG/kcmil max	16
Stripping length	8 mm
Connection method	Spring-cage conn.

classifications

eCl@ss

eCl@ss 4.0	27371102
eCl@ss 4.1	27371102
eCl@ss 5.0	27371901
eCl@ss 5.1	27371901
eCl@ss 6.0	27371819
eCl@ss 7.0	27371819
eCl@ss 8.0	27371819

ETIM

ETIM 2.0	EC001449
ETIM 3.0	EC001449
ETIM 4.0	EC001449
ETIM 5.0	EC001449

UNSPSC

UNSPSC 6.01	30211901
UNSPSC 7.0901	39121501
UNSPSC 11	39121501
UNSPSC 12.01	39121501
UNSPSC 13.2	39121501

approvals

UL Listed / GOST / cUL Listed / Functional Safety / cULus Listed /

Approval details



Extension module - PSR-SPP- 24DC/URD3/4X1/2X2/3 - 2981745

approvals

cUL Listed 

Functional Safety

cULus Listed 

accessories

DIN rail connector

PSR-TBUS - 2890425



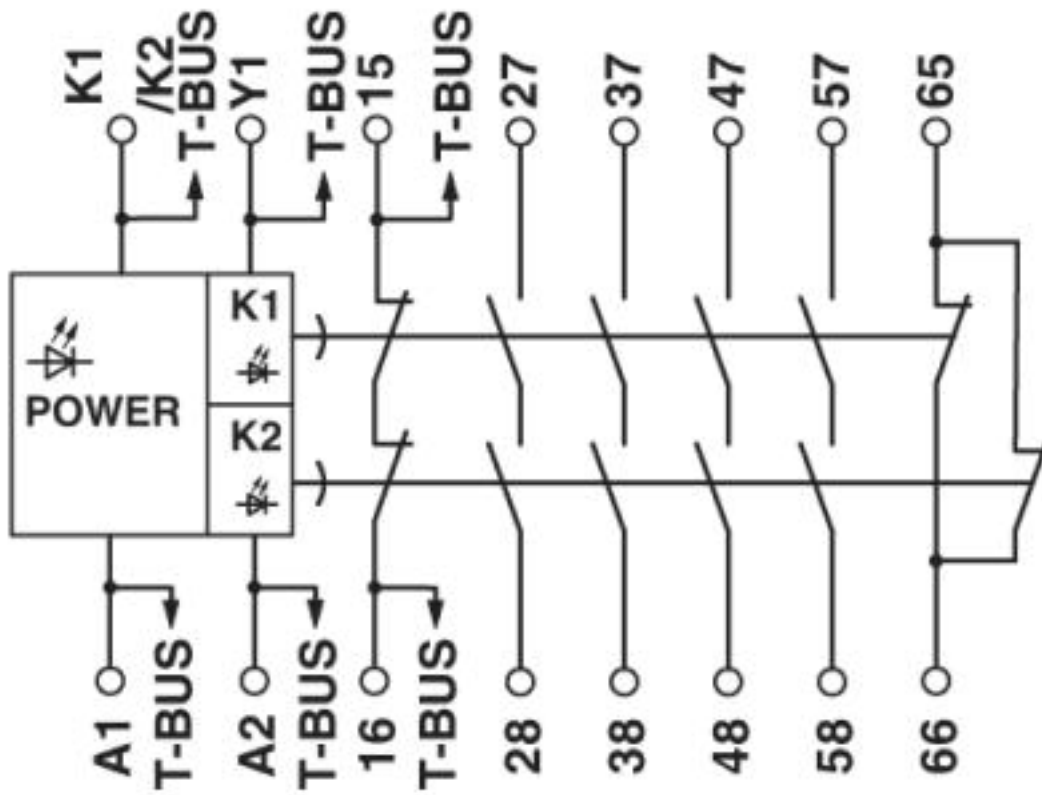
PSR-TBUS-TP - 2981716



Drawings

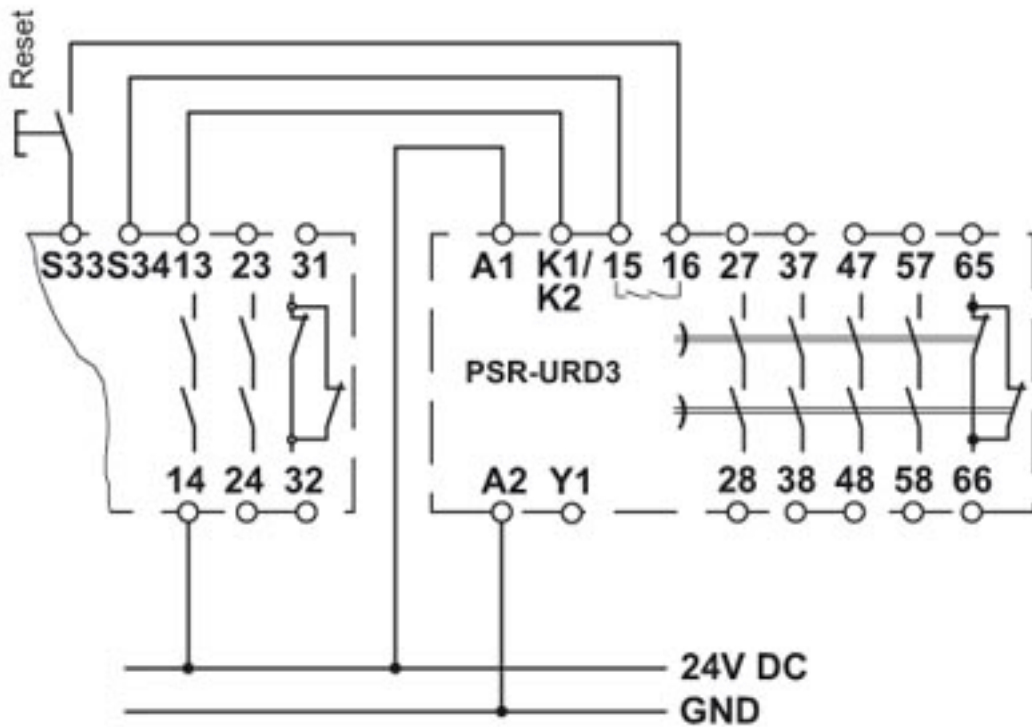
Extension module - PSR-SPP- 24DC/URD3/4X1/2X2/3 - 2981745

Circuit diagram

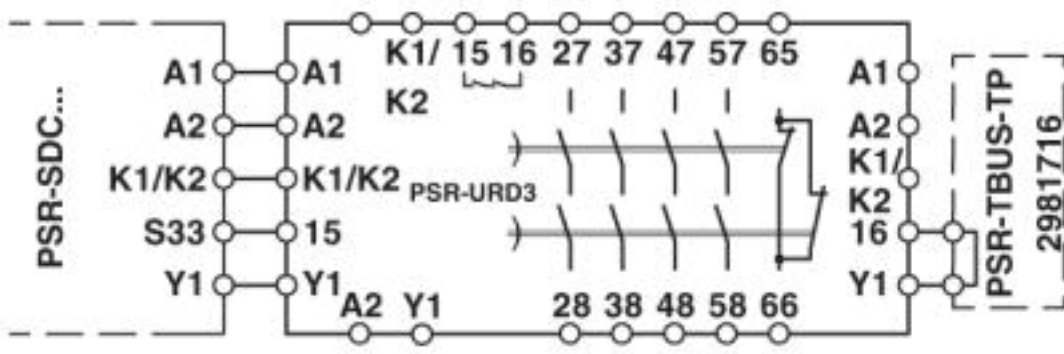


Extension module - PSR-SPP- 24DC/URD3/4X1/2X2/3 - 2981745

Circuit diagram

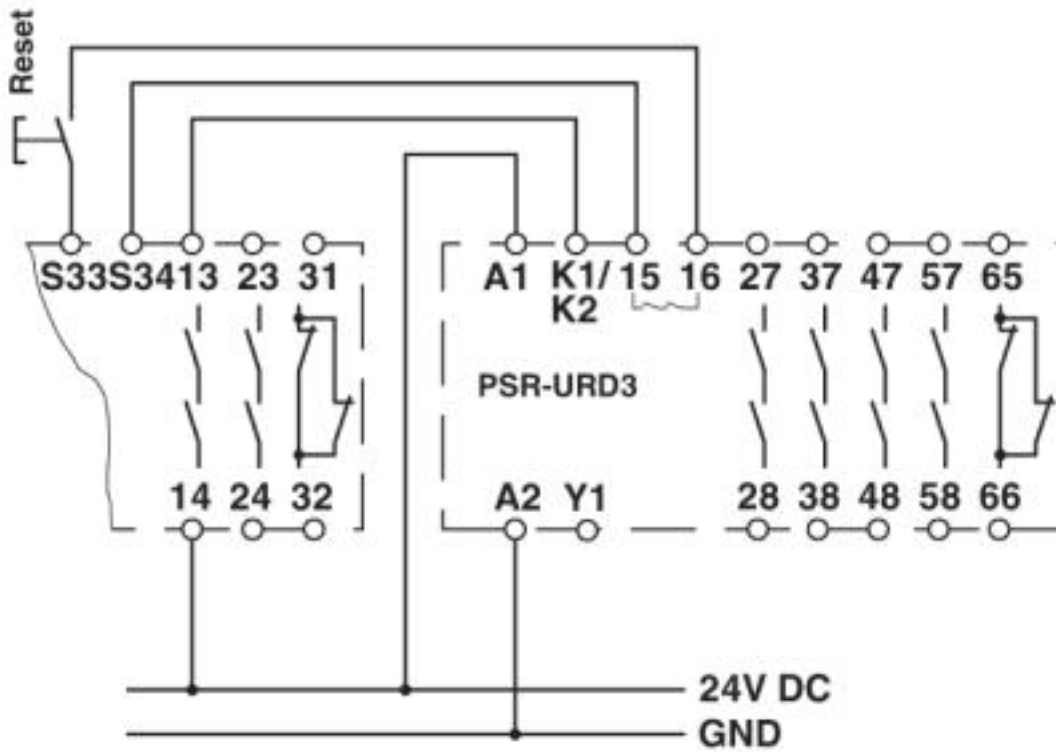


Circuit diagram



Extension module - PSR-SPP- 24DC/URD3/4X1/2X2/3 - 2981745

Circuit diagram



Circuit diagram

