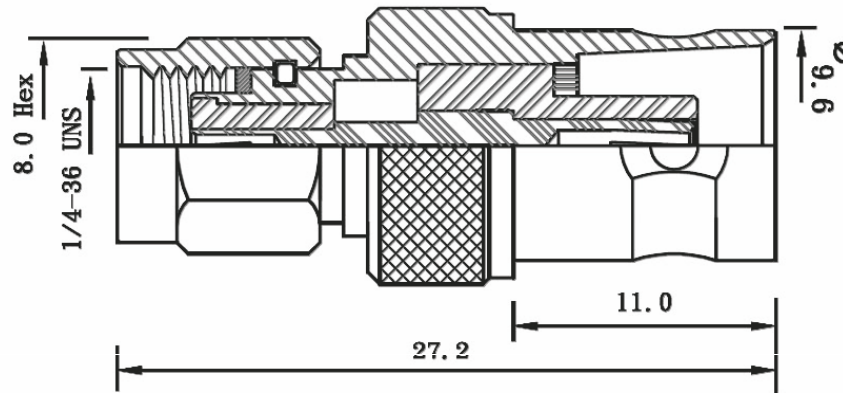


# Datenblatt



NOTE: FINISH (PLATING THICKNESS IN MICRO-INCHES)

1. BRASS PER J15-C3604
2. CONNECTOR INTERFACE PER MIL-STD-348A
3. PART TO BE CLEAN AND FREE BURRS
4. NICKEL PL 70  $\mu$ " THICK OVER COPPER STRIKE
5. GOLD PL 1-3  $\mu$ " OVER NICKEL PL 70  $\mu$ " THICK OVER COPPER STRIKE

4	Nut	Brass	Nickel
3	Insulator	Teflon/Delrin	White
2	Contact	Brass	Gold
1	Body	Brass	Nickel
No	Description	Material	Finish