

NOTES:

1.MATERIAL:

HOUSING: LCP,COLOR:BLACK;
 CAP:LCP,COLOR:BLACK;
 SHELL:BRASS,ALLOY.
 TERMINAL: BRASS,ALLOY.

2.PLATING:

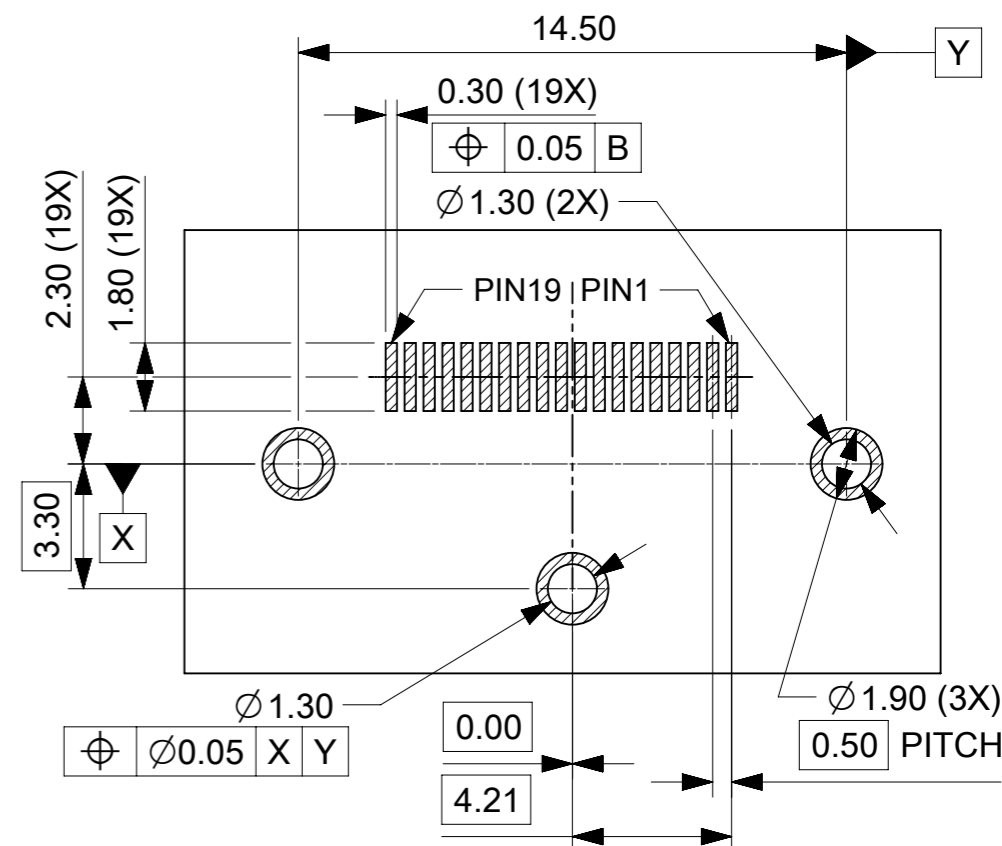
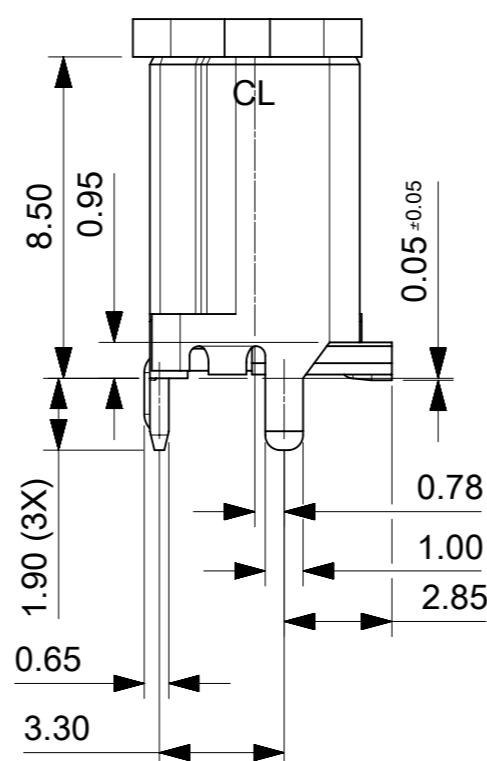
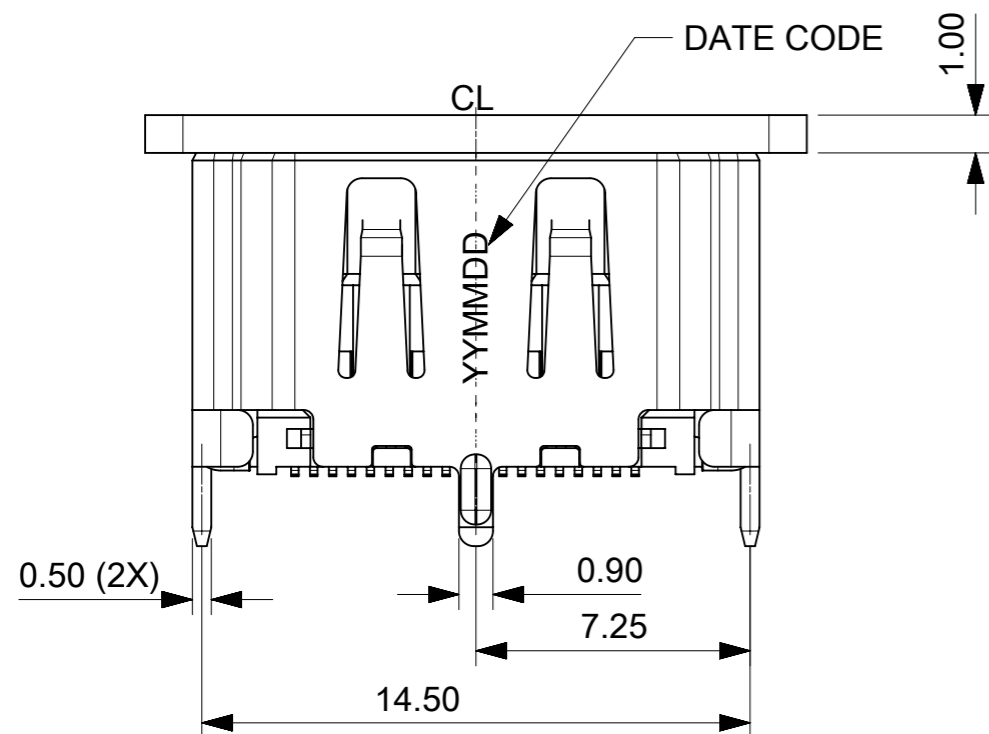
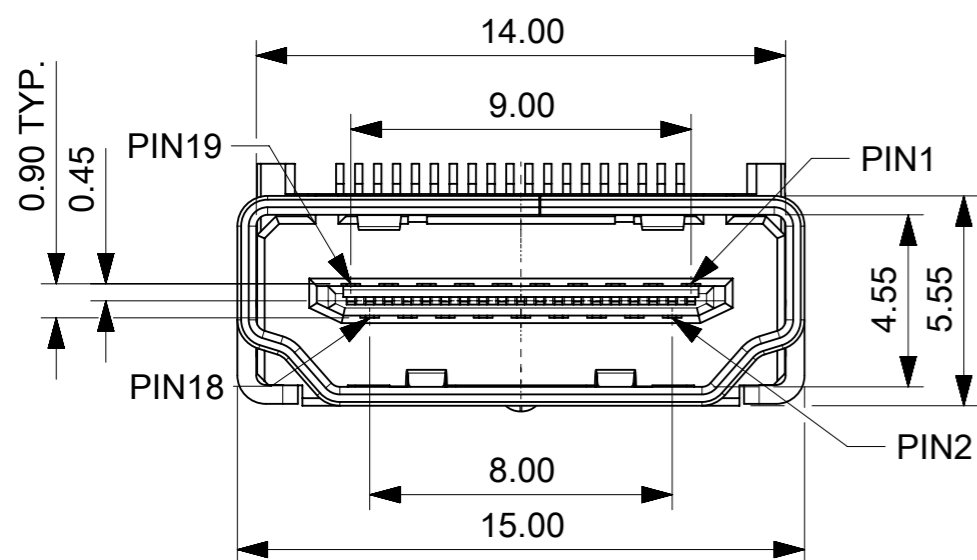
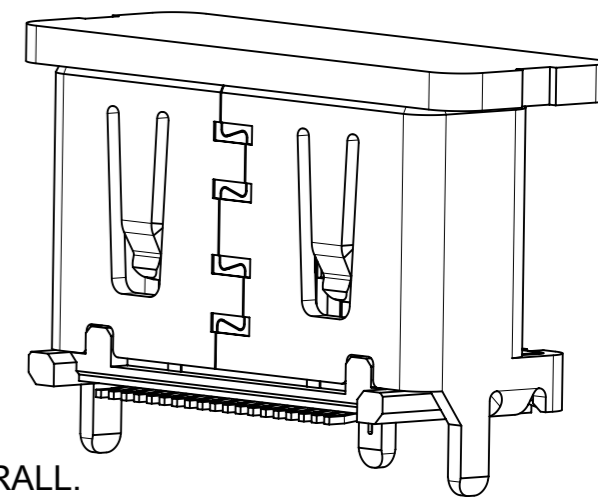
TERMINAL:
 CONTACT AREA:SEE TABLE;
 SOLDER AREA: GOLD FLASH;
 UNDER PLATE:1.27 MICROMETER MIN. NICKEL PLATING OVERALL.
 SHELL: 1.27MICROMETER MIN. SOLDERABLE NICKEL PLATING OVERALL.

3.COMPLANARITY OF SOLDER TAIL:0.10mm MAX.

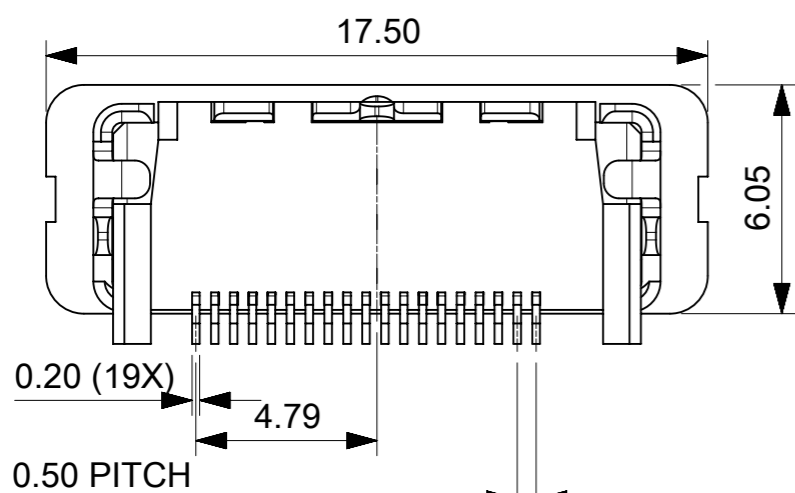
4.DATE CODE:YY=YEAR, MM=MONTH,DD=DATE;

5.PRODUCT SPEC. REFER TO 2086580001(PS);

6.PACKAGE SPEC. REFER TO 476595100;



RECOMMENDED PCB LAYOUT
 CONNCTOR SIDE
 THICKNESS=1.60mm
 GENERAL TOLRANCE +/-0.05



47659-1102	GLOD FLASH
47659-1101	0.38 MICROMETER MIN. GOLD PLATING
47659-1100	0.76 MICROMETER MIN. GOLD PLATING
P/N	CONTACT AREA PLATING

THIS DRAWING CONTAINS INFORMATION THAT IS PROPRIETARY TO MOLEX ELECTRONIC TECHNOLOGIES, LLC AND SHOULD NOT BE USED WITHOUT WRITTEN PERMISSION									
DIMENSION UNITS		SCALE		CURRENT REV DESC:					
mm		NTS							
GENERAL TOLERANCES (UNLESS SPECIFIED)									
ANGULAR TOL ± 3.0°				EC NO: 626727					
4 PLACES ±				DRWN: JFAN18 2019/11/01					
3 PLACES ± 0.25				CHK'D: XQZHANG 2019/11/04					
2 PLACES ± 0.25				APPR: XQZHANG 2019/11/04					
1 PLACE ±				INITIAL REVISION:					
0 PLACES ±				DRWN: JFAN18 2019/11/01					
				APPR: XQZHANG 2019/11/04					
DRAFT WHERE APPLICABLE MUST REMAIN WITHIN DIMENSIONS		THIRD ANGLE PROJECTION		DRAWING		SERIES		MATERIAL NUMBER	
		A3-SIZE		47659		SEE TABLE		CUSTOMER	
						GENERAL MARKET		SHEET NUMBER	
								1 OF 1	