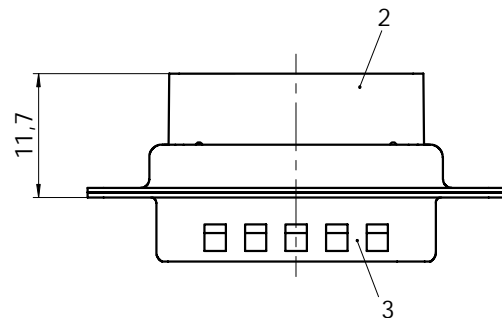


# Fy<sup>\*1)</sup> xx<sup>\*2)</sup> P7-K120

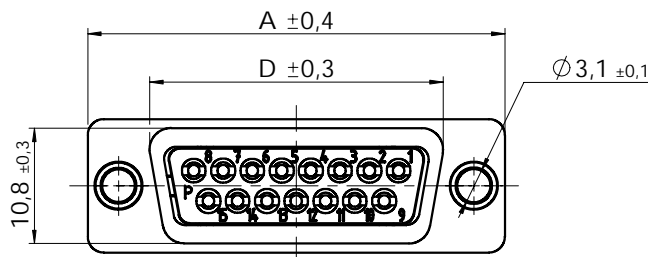
e.g. FL25P7-K120

\*1) y for series FL or FU

\*2) xx No. of contacts 09, 15, 25 or 37



xx	A [mm]	B [mm]	C [mm]	D [mm]
09	30,8	16,9	25	19,3
15	39,1	25,2	33,3	27,5
25	53	38,9	47,04	41,3
37	69,3	55,3	63,5	57,7



Technical data for modification -K120 (FU)

Crimp contacts FK20S (AWG 20-24/1,3µm Au) included in delivery

No.	St.	Part	Type Description/Material	Surface plating/Colour/Class
3	1	Shell	Steel	tin plated
2	1	Insulator rear part	PI (-55°C - +130°C)	green
1	1	Insulator front part	PBTP	green

Technical data for modification -K120 (FL)

No.	St.	Part	Type Description/Material	Surface plating/Colour/Class
3	1	Shell	Steel	tin plated
2	1	Insulator rear part	PA66 (-55°C - +115°C)	black
1	1	Insulator front part	PBTP	black

COMMENT: ALL RIGHTS ARE RESERVED BY US FOR THIS DRAWING. WITHOUT OUR PRIOR CONSENT, IT IS NOT TO BE REPRODUCED OR TRANSMITTED IN ANY FORM OR BY ANY MEANS, ELECTRONIC OR MECHANICAL, INCLUDING PHOTOCOPYING, RECORDING, OR BY ANY INFORMATION STORAGE AND RETRIEVAL SYSTEM. ANY UNAUTHORIZED REPRODUCTION OR TRANSMISSION IS PROHIBITED AND ALSO MAY NOT BE IMPROPERLY USED BY THE READER, OR A THIRD PARTY.

Measurement without tolerance occ. to ISO 2768-m  
 SCALE 2:1  
 DATE 21-11-2003 NAME Denzinger  
 CHECKED 21-11-2003 fflößmann

D-Sub Crimp Connector



DWG.NO.	FyxxP7-K120	REV.	1
REPLACEMENT FOR:	FyxxP7-K120 a	PAGES	1