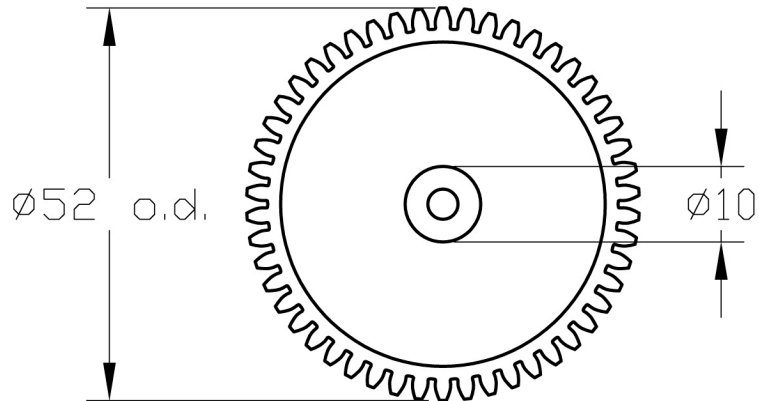


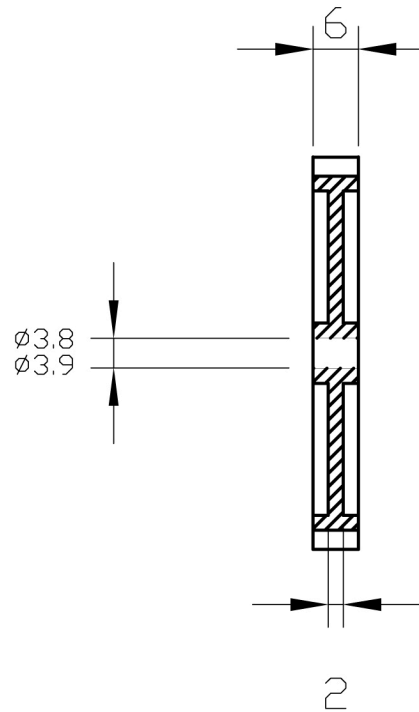
THIRD ANGLE PROJECTION

ALL DIMENSIONS IN MM IF IN DOUBT ASK

TOLERANCE UNLESS OTHERWISE STATED		
GENERAL TOLERANCE		
NO DECIMAL PLACE	±	0.5mm
ONE DECIMAL PLACE	±	0.3mm
TWO DECIMAL PLACES	±	0.1mm
ANGLES	±	1°



$\phi 50$  PCD  
1 module



19/06/02	1
Date	Issue

DESCRIPTION : 50T Gear

PROD Code: 4050

PART No.: 4050

DRAWING No. :

MATERIAL : Polypropelene

drawn

checked

date

SCALE :

FINISH : Red

19/06/02