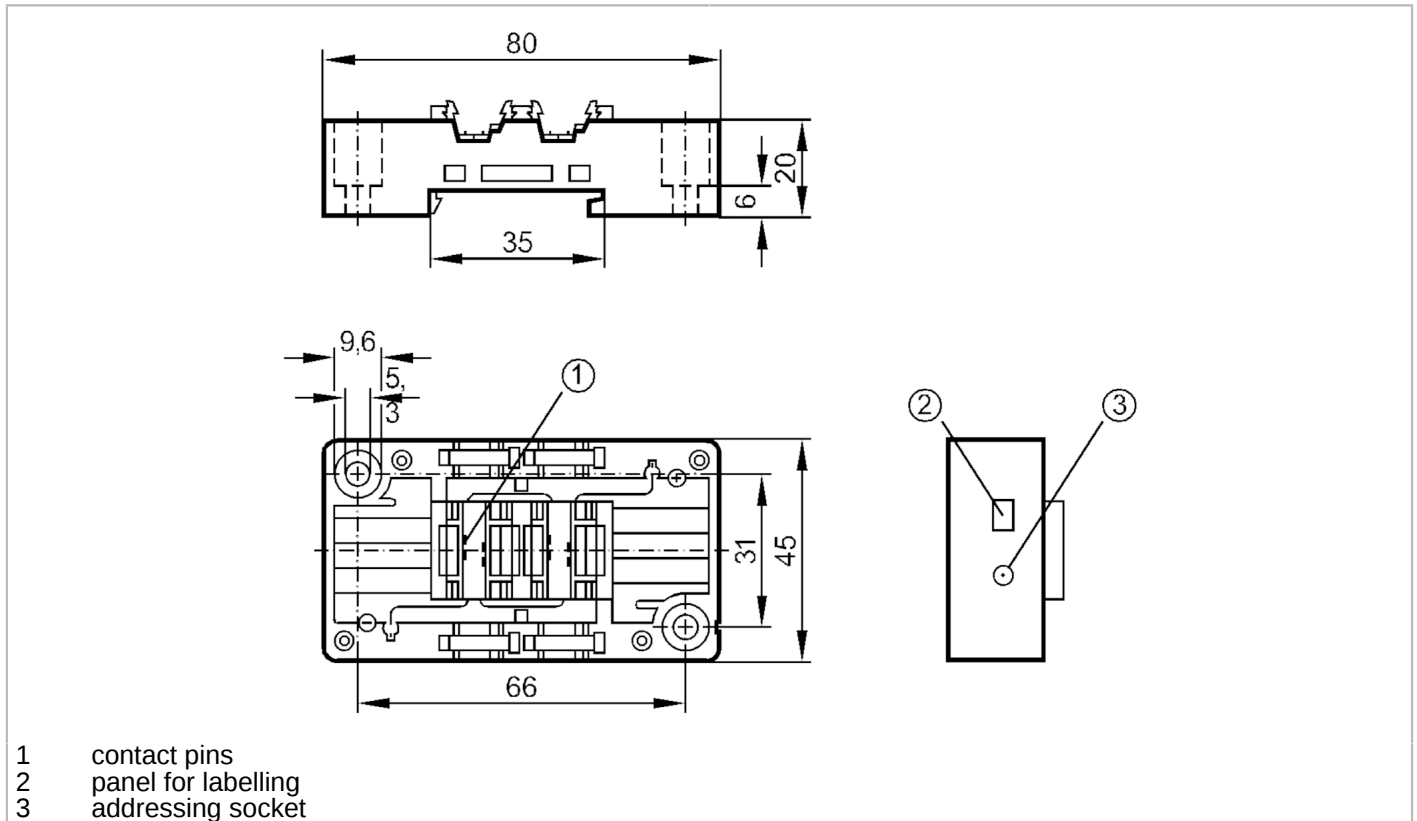


AC5010



Lower part for AS-Interface module

EMS-Base FC Addressing socket



Electrical data		
Operating voltage	[V]	26.5...31.6 DC
Outputs		
Electrical design		AS-i
Contact rating		< 2 A
Operating conditions		
Ambient temperature	[°C]	-25...85
Protection		IP 67; (depending on the upper part used: IP 20 / IP 65 / IP 67)
AS-i classification		
AS-i addressing		addressing socket
Mechanical data		
Weight	[g]	59.7
Type of mounting		mounting on DIN rail and panel
Dimensions	[mm]	45 x 80 x 20
Materials		PBT
Remarks		
Pack quantity		1 pcs.
Electrical connection		
contact pins in module upper part :		
quick mounting technology for AS-i flat cable:		