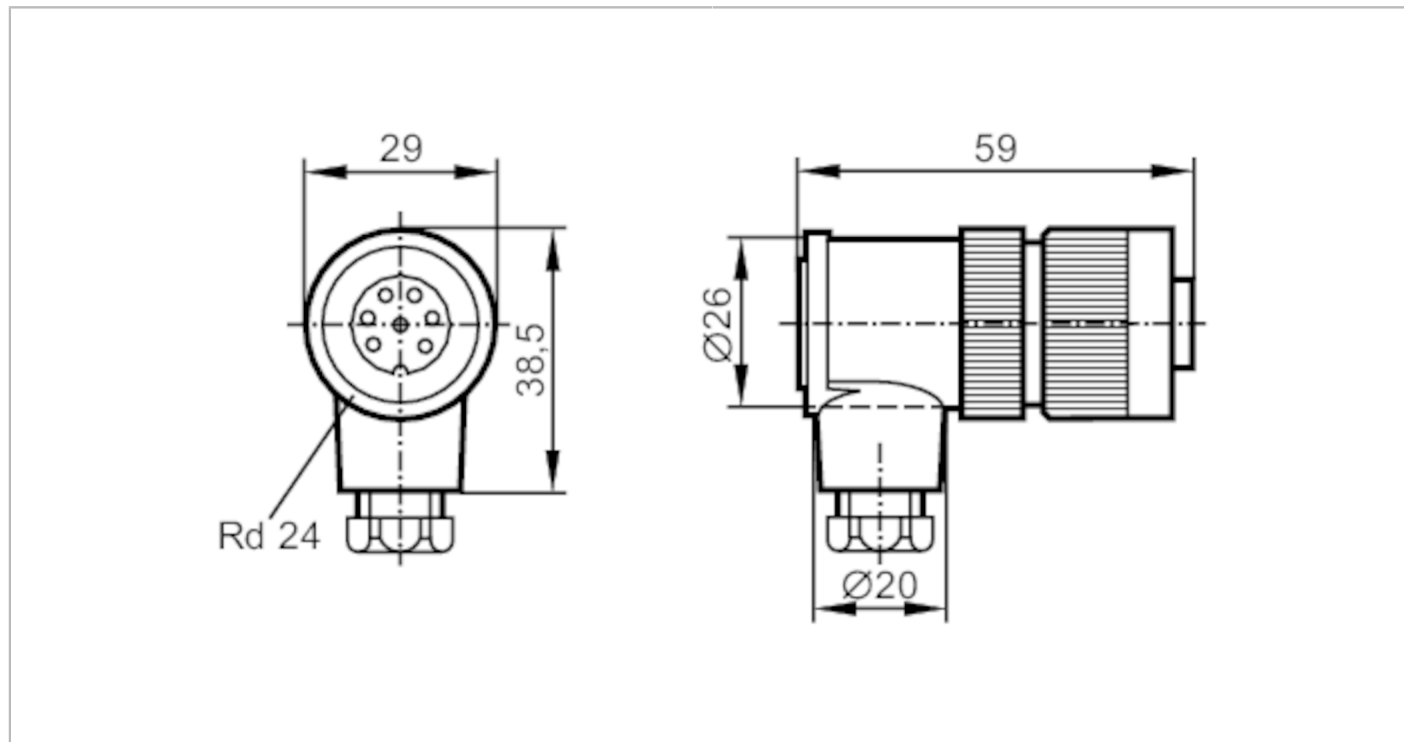


E11043



Wirable socket

SDOAL070PLSFKPG



Application

Special feature	Gold-plated contacts
-----------------	----------------------

Electrical data

Operating voltage	[V]	< 250 AC / < 300 DC
-------------------	-----	---------------------

Operating conditions

Ambient temperature	[°C]	-40...100
---------------------	------	-----------

Protection	IP 67
------------	-------

Mechanical data

Weight	[g]	43.8
--------	-----	------

Dimensions	[mm]	59 x 29 x 38.5
------------	------	----------------

Materials	PBT
-----------	-----

Material nut	PA
--------------	----

Remarks

Pack quantity	1 pcs.
---------------	--------

Electrical connection

terminals: ...2.5 mm²; Cable sheath: Ø 6...8 mm

Electrical connection - socket

Connector: 1 x Rd24, angled; Moulded body: PBT; Locking: PA; Contacts: gold-plated



E11043

Wirable socket

SDOAL070PLSFKPG



Connection

