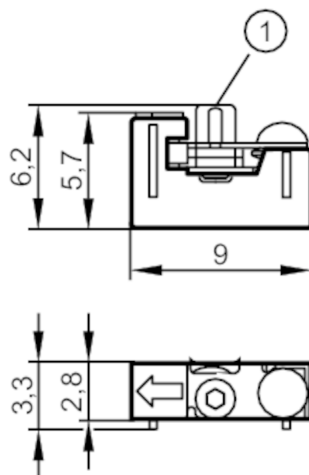


# E12004



## Memorisation block for C-slot cylinders

MEMORY BLOCK C-NUT



1 fastening clamp

### Application

Design for types MKC (C-slot cylinder sensors)

### Mechanical data

Weight [g]	5.7
Type of mounting	fixing : slot head screw
Dimensions [mm]	6.2 x 3.3 x 9
Materials	PA; stainless steel

### Remarks

Pack quantity 1 pcs.