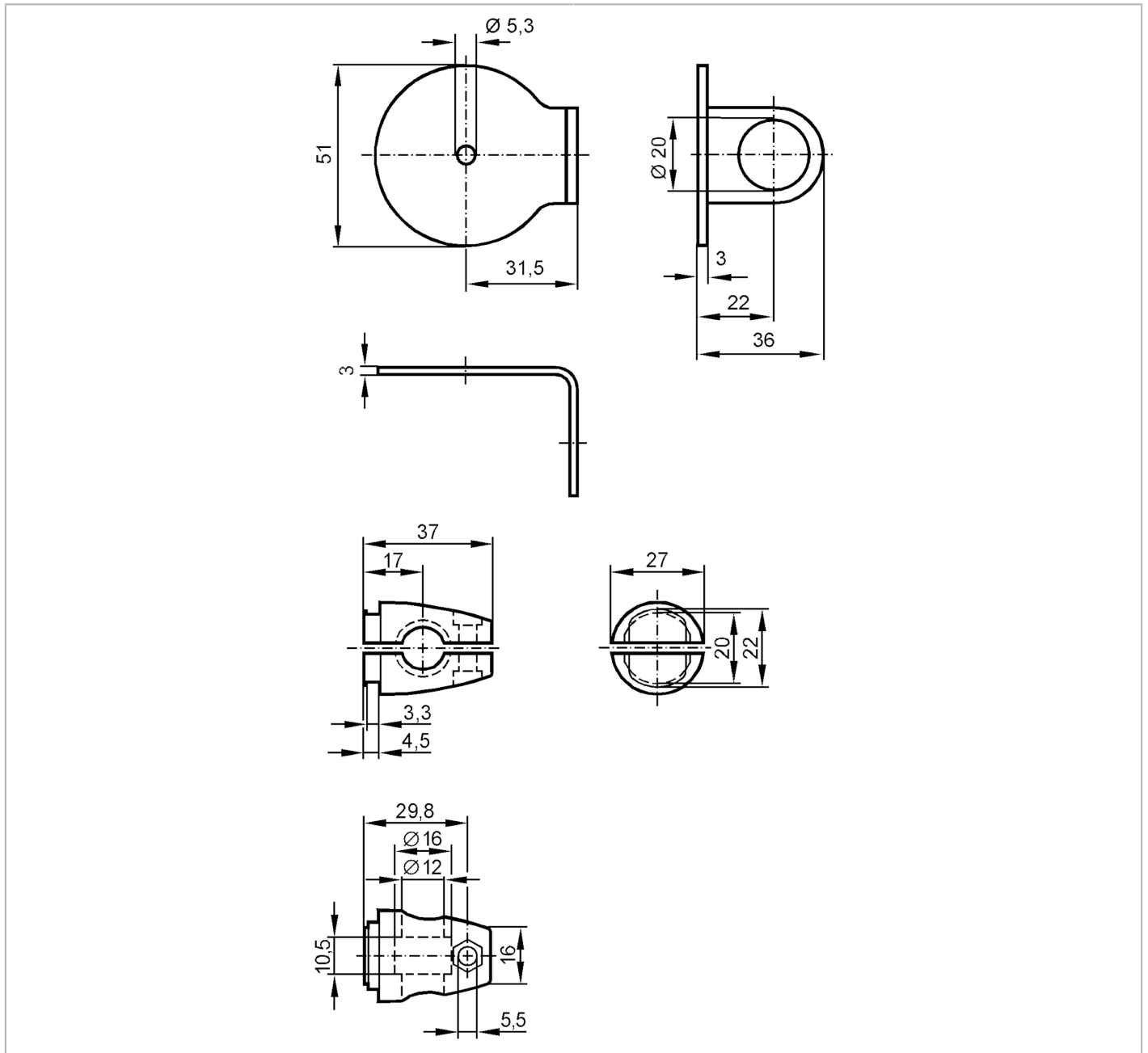


E20910



Mounting set for reflectors

SYSTEM COMPONENT REFL BOLT



Application	
Design	clamp mounting, for reflector, $\varnothing 50$ mm
Mechanical data	
Weight [g]	219,5
Type of mounting	free-standing; (M10)
Materials	fixture: stainless steel (1.4571/316Ti); Clamp: diecast zinc
Accessories	
Accessories (supplied)	head cap screw: 1 x M10 x 55
Remarks	
Pack quantity	1 pcs.