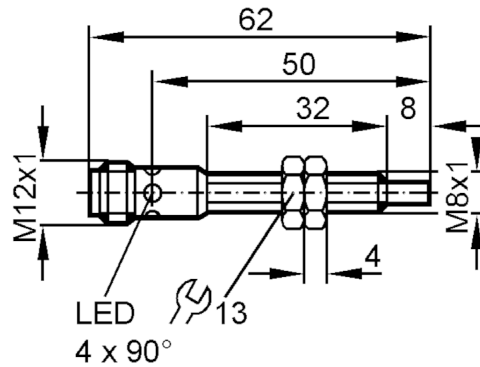


# IE5331



## Inductive sensor

IEK3004-BPKG/US-104-DPS/OELVER



### Product characteristics

Electrical design		PNP
Output function		normally open
Sensing range	[mm]	4
Housing		threaded type
Dimensions	[mm]	M8 x 1

### Electrical data

Operating voltage	[V]	10...36 DC
Current consumption	[mA]	15; (24 V)
Protection class		III
Reverse polarity protection		yes

### Outputs


Electrical design		PNP
Output function		normally open
Max. voltage drop switching output DC	[V]	2.5
Permanent current rating of switching output DC	[mA]	250
Switching frequency DC	[Hz]	300
Short-circuit protection		yes
Type of short-circuit protection		pulsed
Overload protection		yes

# IE5331



## Inductive sensor

IEK3004-BPKG/US-104-DPS/OELVER

Detection zone		
Sensing range	[mm]	4
Real sensing range Sr	[mm]	4 ± 10 %
Operating distance	[mm]	0...3.25
Accuracy / deviations		
Correction factor		steel: 1 / stainless steel: 0.7 / brass: 0.5 / aluminium: 0.4 / copper: 0.3
Hysteresis	[% of Sr]	1...10
Switch point drift	[% of Sr]	-10...10
Operating conditions		
Ambient temperature	[°C]	0...70
Protection		IP 67
Tests / approvals		
EMC		EN 60947-5-2
MTTF	[years]	3491
UL approval	Ta	-25...70 °C
	Enclosure type	Type 1
	voltage supply	Class 2
	File number UL	E174191
Mechanical data		
Weight	[g]	22.5
Housing		threaded type
Mounting		non-flush mountable
Dimensions	[mm]	M8 x 1
Thread designation		M8 x 1
Materials		brass white bronze coated; LCP
Displays / operating elements		
Display	switching status	4 x 90° LED, yellow
Accessories		
Accessories (supplied)		lock nuts: 2
Remarks		
Pack quantity		1 pcs.
Electrical connection - plug		
Connector: 1 x M12		
		

# IE5331



## Inductive sensor

IEK3004-BPKG/US-104-DPS/OELVER

### Connection

