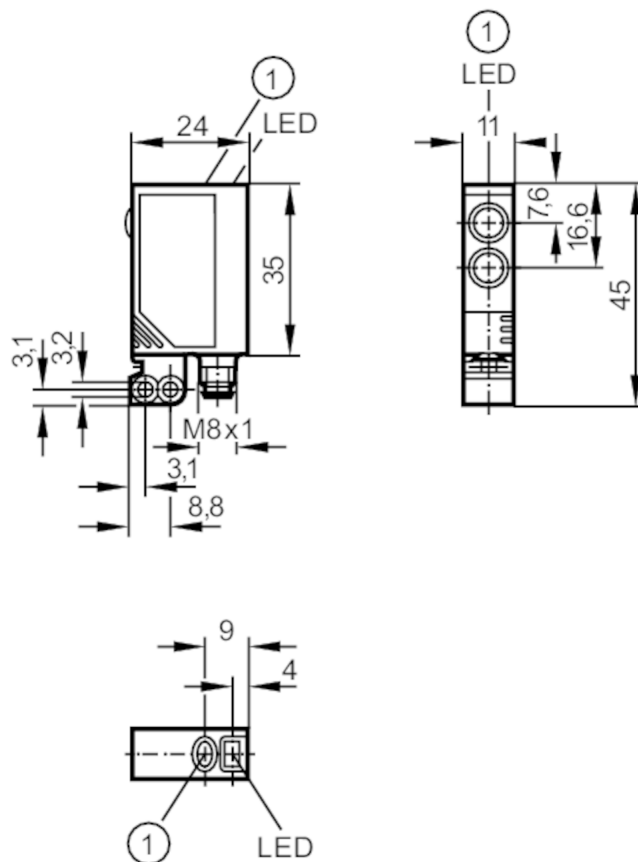




Diffuse reflection sensor

OJB-FPKG/SO/AS



1 pushbutton



Product characteristics

| | |
|-----------------|--------------|
| Type of light | red light |
| Housing | rectangular |
| Dimensions [mm] | 35 x 11 x 24 |

Application

| | |
|--------------------|---------------------------|
| Function principle | Diffuse reflection sensor |
|--------------------|---------------------------|

Electrical data

| | |
|-----------------------------|------------|
| Operating voltage [V] | 10...30 DC |
| Current consumption [mA] | < 22 |
| Protection class | III |
| Reverse polarity protection | yes |
| Type of light | red light |
| Wave length [nm] | 660 |

OJ5022



Diffuse reflection sensor

OJB-FPKG/SO/AS

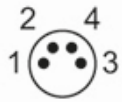
| Outputs | | |
|--|---|-----------------|
| Electrical design | PNP | |
| Output function | light-on/dark-on mode; (programmable) | |
| Max. voltage drop switching output DC [V] | 2.5 | |
| Permanent current rating of switching output DC [mA] | 200 | |
| Switching frequency DC [Hz] | 2000 | |
| Short-circuit protection | yes | |
| Type of short-circuit protection | pulsed | |
| Overload protection | yes | |
| Detection zone | | |
| Range [mm] | 1...600; (white paper 200 x 200 mm 90% remission) | |
| Range adjustable | yes | |
| Max. light spot diameter [mm] | 60 | |
| Light spot dimensions refer to | at maximum range | |
| Operating conditions | | |
| Ambient temperature [°C] | -25...60 | |
| Protection | IP 67 | |
| Tests / approvals | | |
| EMC | EN 60947-5-2 | |
| MTTF [years] | 854 | |
| Mechanical data | | |
| Weight [g] | 39.8 | |
| Housing | rectangular | |
| Dimensions [mm] | 35 x 11 x 24 | |
| Materials | housing: ABS; fixture: diecast zinc; LED window: SEPS; pushbutton: SEPS | |
| Lens material | glass | |
| Lens alignment | side lens | |
| Displays / operating elements | | |
| Display | switching status | 1 x LED, yellow |
| | operation | 1 x LED, green |
| | function | 1 x LED, red |
| Electronic lock | yes | |
| Accessories | | |
| Accessories (supplied) | Basic clip: 1 x, E20964 | |
| | screws: 2 x x M3 x 16 | |
| | spring washers: 2 x | |
| | Nuts: 2 x | |
| Remarks | | |
| Remarks | operating voltage "supply class 2" according to cULus | |
| Pack quantity | 1 pcs. | |
| Electrical connection | | |
| Connector: 1 x M8 | | |

OJ5022

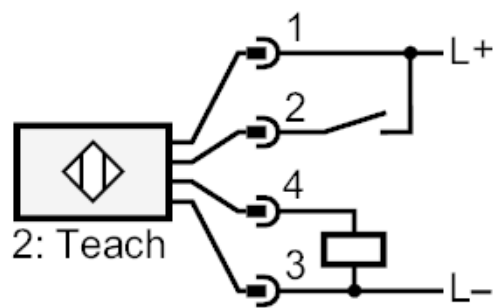


Diffuse reflection sensor

OJB-FPKG/SO/AS



Connection



2

Teach



Diffuse reflection sensor

OJB-FPKG/SO/AS

Diagrams and graphs

excess gain graph

