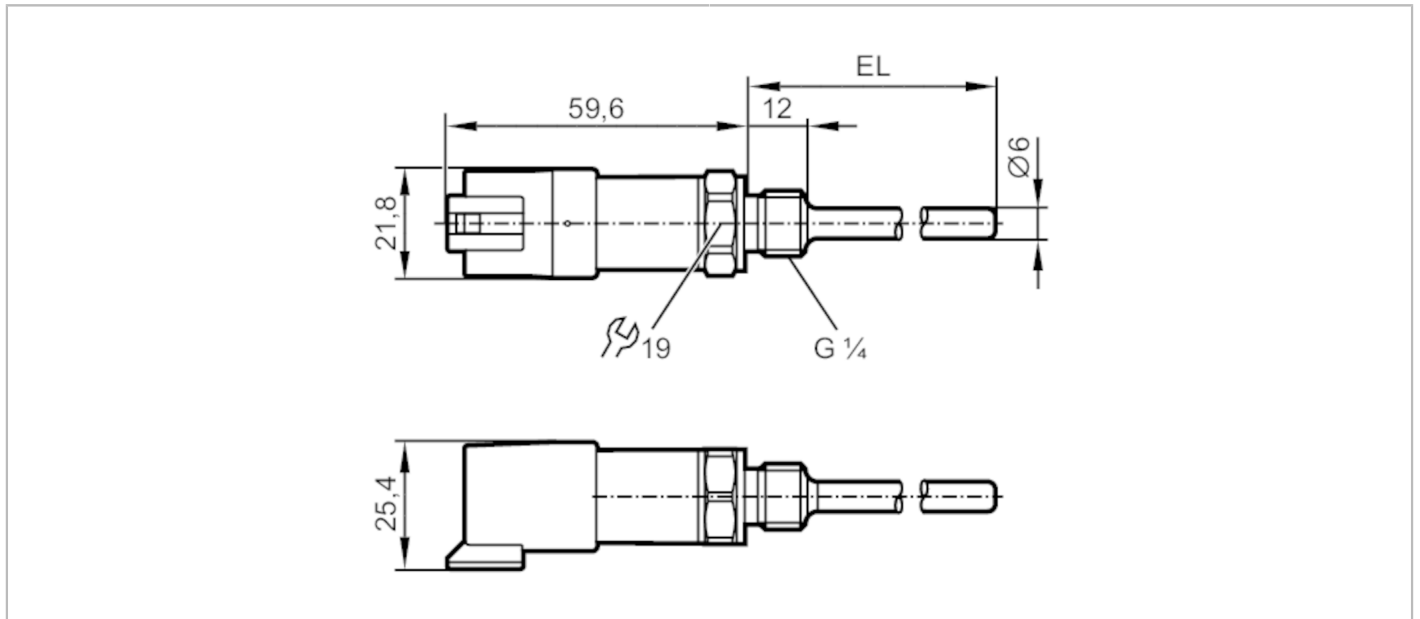


TA4105



Temperature transmitter

TA-025CLEM14-A-ZVG/DE



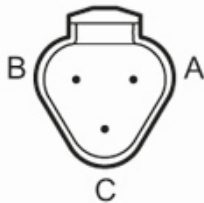
Product characteristics	
Number of inputs and outputs	Number of analogue outputs: 1
Measuring range	-50...150 °C -58...302 °F
Process connection	threaded connection G 1/4 external thread
Installation length EL [mm]	25
Application	
Measuring element	1 x Pt 1000; (to DIN EN 60751, class A)
Media	liquids and gases
Pressure rating [bar]	400
Electrical data	
Operating voltage [V]	10...30 DC; ("supply class 2" to cULus)
Current consumption [mA]	< 30
Protection class	III
Reverse polarity protection	yes
Inputs / outputs	
Number of inputs and outputs	Number of analogue outputs: 1
Outputs	
Total number of outputs	1
Output signal	analogue signal
Number of analogue outputs	1
Analogue current output [mA]	4...20
Max. load [Ω]	(U _b - 8,5 V) / 21,5 mA; 24 V: 720 Ω
Short-circuit protection	yes
Overload protection	yes
Measuring/setting range	
Measuring range	-50...150 °C -58...302 °F

TA4105



Temperature transmitter

TA-025CLEM14-A-ZVG/DE

Resolution	
Resolution of analogue output [K]	0.04
Accuracy / deviations	
Precision analogue output [K]	$\pm 0,3 + (\pm 0,1 \% MS)$
Temperature coefficient [% of the span / 10 K]	0,1; (in case of deviation from the reference condition $25 \pm 5 \text{ }^\circ\text{C}$)
Response times	
Dynamic response T05 / T09 [s]	1 / 3; (to DIN EN 60751)
Operating conditions	
Ambient temperature [°C]	-40...100
Storage temperature [°C]	-40...100
Protection	IP 68; IP 69K
Tests / approvals	
EMC	DIN EN 61000-6-2 DIN EN 61000-6-3
Shock resistance	DIN EN 60068-2-27 50 g (11 ms)
Vibration resistance	DIN EN 60068-2-6 20 g (10...2000 Hz)
MTTF [years]	1092
UL approval	UL Approval no. K006
Mechanical data	
Weight [g]	91.8
Materials	stainless steel (1.4404 / 316L); PPS; FKM
Materials (wetted parts)	stainless steel (1.4404 / 316L); FKM
Process connection	threaded connection G 1/4 external thread
Probe diameter [mm]	6
Installation length EL [mm]	25
Remarks	
Remarks	The values for accuracy apply to flowing water. referring to UL: for use on a low voltage circuit with overcurrent protection in accordance with UL873 tab. 28.1 or $I_{max} = 100/U_b$ (U_b = voltage of the circuit)
Pack quantity	1 pcs.
Electrical connection	
Connector: 1 x DEUTSCH connector (DT04-3P)	
	

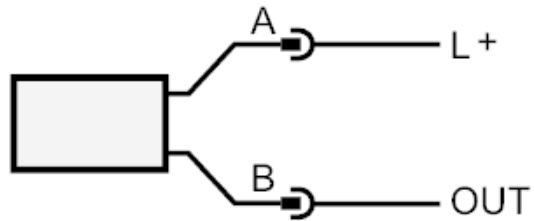
TA4105



Temperature transmitter

TA-025CLEM14-A-ZVG/DE

Connection



OUT: analogue output