

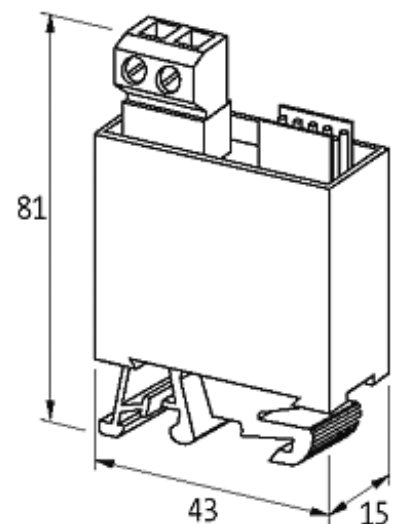
## MASI00 I/O MODULE

4 digital inputs, 4 digital outputs

Digital inputs/outputs  
DI4/DO4 - 0.2 A (AB)  
IP00

### [Link to Product](#)

#### Illustration



Product may differ from Image

#### Approvals



### Input

Sensor supply US	max. 200 mA from AS-Interface (short-circuit and overload protected)
Type	for standard switches

### Technical Data

Bus voltage (AS-Interface)	26.5...31.6 V DC
Total current (AS-Interface)	max. 250 mA
Current consumption	max. 200 mA
Addressing	1...62 (1...31 A or B) via plug-in terminal
Address range	1...62 (1...31 A or B)
Profile (IO/ID/ID2 code)	S-7.A.7

### General data

Protection	IP00
Connection AS-Interface	Screw plug-in terminal: 0.2...2.5 mm <sup>2</sup>
Mounting method	DIN-rail mountable (EN 60715)
Temperature range	0...+55 °C (storage temperature -20...+70 °C)
Dimensions H × W × D	43×15×81 mm

### Output

Switching current per output	max. 0.2 A (short-circuit and overload protected)
Total current	max. 200 mA
Switch off time in case of short circuit	approx. 50 ms

### Diagnostic

Communication status	via LED
Diagnostic via LED	per module
Monitoring - no voltage	yes

### Commercial data

country of origin	DE
customs tariff number	85389091
minimum order quantity	1