

M12MALE 0° / M12 FEMALE 0° SHIELDED,B-COD,INTERBUS

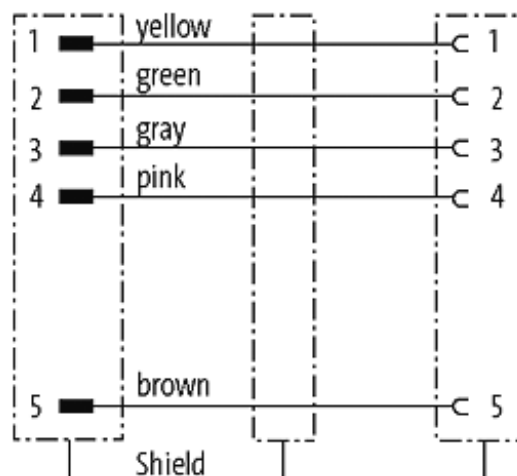
PUR 3x2x0.25 shielded violet 0.2m

Interbus, B-coded
 Male straight to female straight
 M12 - M12
 5-pole, shielded

Further cable lengths on request. Plastic housings with good resistance against chemicals and oils. The resistance to aggressive media should be individually tested for your application. Further details on request.

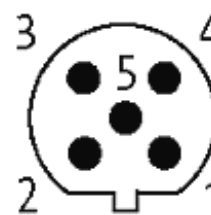
[Link to Product](#)

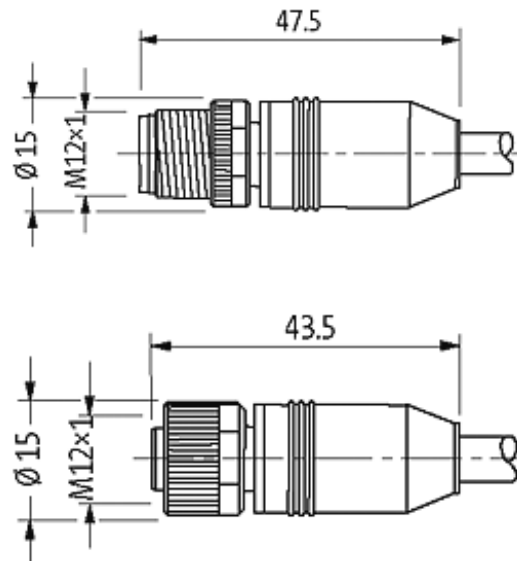
Illustration



Male

Female





Product may differ from Image

Approvals



More Info



Form

44051

Technical Data

| | |
|-------------------------------|---|
| Operating voltage | 60 V AC/DC |
| Operating current per contact | max. 4 A |
| Protection | IP65 and IP67 when plugged and screwed down (EN 60529) |
| Locking of ports | Screw thread M12 × 1 mm (recommended torque 0.6 Nm) self-securing |

Cables

| | |
|-----------------------------|------------------------|
| Cable number | 799 |
| No./diameter of wires | 3 × 2 × (AWG 24) |
| Wire isolation | PE (br,wh,gr,pk,gn,ye) |
| C-track properties | 2 Mio. |
| Jacket Color | violet |
| Shore hardness outer jacket | 85 ± 5A |
| Material (jacket) | PUR |
| Outer diameter | approx. 7.7 mm |

The information in this brochure has been compiled with the utmost care.

Liability for the correctness completeness and topicality of the information is restricted to gross negligence. Version: 05/15

| | |
|----------------------------|--------------|
| Bend radius (fixed) | 10 × outer Ø |
| Bend radius (moving) | 15 × outer Ø |
| Temperature range (fixed) | -40...+70 °C |
| Temperature range (mobile) | -20...+50 °C |
| Shielded | yes |

Commercial data

| | |
|------------------------|----------|
| country of origin | DE |
| customs tariff number | 85444290 |
| minimum order quantity | 1 |