

AN6888

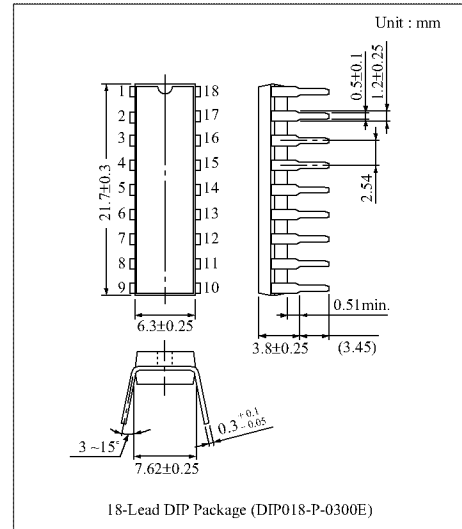
Dual 5-Dot LED Driver Circuit

■ Overview

The AN6888 is an IC driving 5×2 -ch LED and is capable of logarithmic bar graph display for input signal. Incorporating high gain rectification amp. enable to apply VU/Signal meter widely. Because the output is the constant current pull-in type, the constant current value can be variable by external resistance.

■ Features

- Wide range of operating voltage : $V_{CC (opr.)} = 5V \sim 16V$
- Power consumption can be reduced due to series connection of LEDs
- Wide range of constant current : $5mA \sim 25mA$
- Built-in high gain amp. : $G_V = 26dB$ typ.



■ Block Diagram

