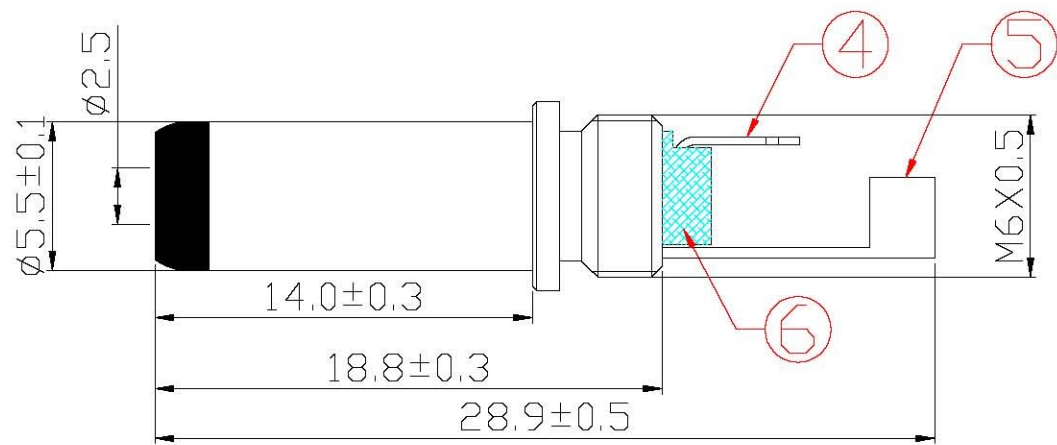


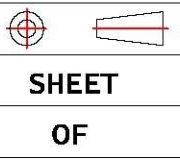
**NEW**



6	DIELECTRIC	ABS
5	CRIMPING PATCH	Cu
4	SOLDERING PATCH	Cu
3	SHELL	ABS
2	BODY	Cu
1	DIELECTRIC	POM

ITEM	DESIGNATION	MATERIAL
REV	PART NO. & SAMPLE NO.	DATE
A	JR-1815	
B		

TOLERANCE	SIGNATURES	DATE		
0 - 10 ±0.05		07.08.24		
10 - 99 ±0.5				
100 - 999 ±10.0	CHECKEO:			
1000 - 9999 ±100.00	APPROVAL:			
10000 - 99999 ±1000.00				
			TITLE	DC Plug 2.5X5.5X14mm
			CUSTOMER	



SHEET OF

SCALE 1:1 UNIT mm REV Ø