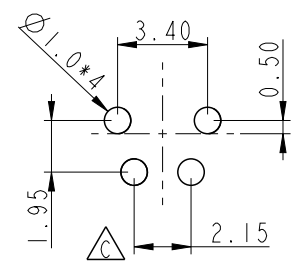
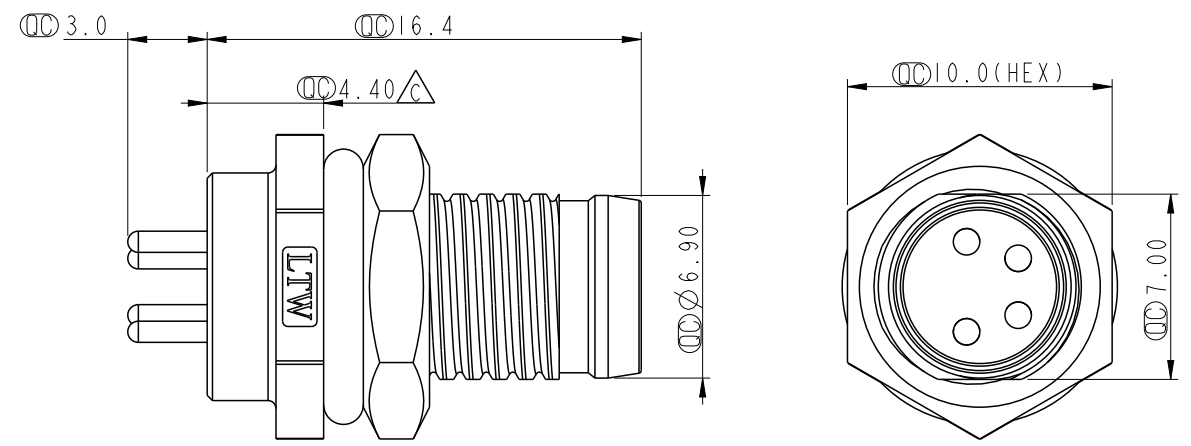
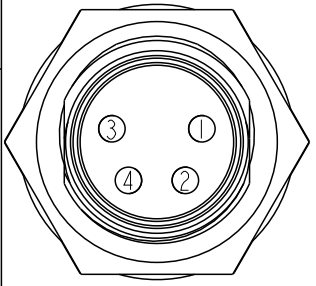


THIS DOCUMENT IS SUBJECT TO CHANGE WITHOUT NOTICE. IT IS CONFIDENTIAL AND A PROPERTY OF Amphenol LTW. DISCLOSURE TO THIRD PARTY HAS TO BE AUTHORIZED BY Amphenol LTW.

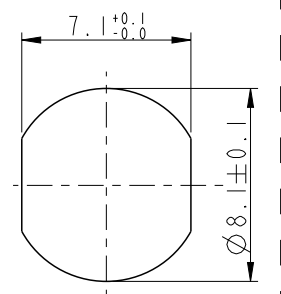
REV.	ECN NO.	DATE	SIGN	DESCRIPTION
B	LEN-7A0173	2007/09/29	Myrdal	Added Note
C	LEN-910186	2009/01/07	Ivan Lin	Change rev. to ECN note
D	LEN1310098	2013/01/24	Galaxy	Chagne Balloon Mark.



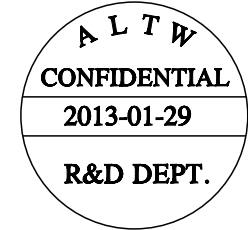
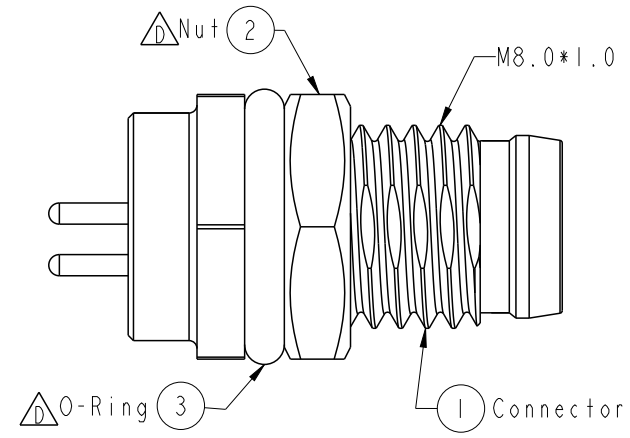
4 Pin Male Connector
Male Pin PCB Layout



Pin Assignments
Front View



Recommended
Panel Cut-Out



- Note:
- * (C) Important Dimension.
 - * Waterproof Rate: IP67
 - * Housing: Black, Nylon+GF
 - * Male Pin: Copper Alloy, Gold Plated
 - * Shield: Zinc Alloy, Nickel Plated
 - * Nut: Copper Alloy, Nickel Plated
 - * O-Ring: Black, EPDM
 - * For Panel Thickness Max 3.0mm
 - * Nut Torque: 4-6 kgf.cm

UNIT:mm			TITLE M8 Conn Panel Screw 4P M Conn M Pin
TOLERANCE .X ±0.25 .XX ±0.1 .XXX ±0.05 ANGLES ±1°	SCALE 7:2	SIZE A4	SHEET 1 OF 1
REV. D	WC-REV. B.2	Circled C: Inspection item	

Amphenol LTW
安費諾亮泰企業股份有限公司

ITEM NO 8-04PMMP-SF7001	DRAWN BY Galaxy	DATE 2013-01-29
DWG NO 8-04PMMP-SF7001	CHECKED BY Aric	DATE 2013-01-29
CUSTOMER ALTW	APPROVED BY Maslow	DATE 2013-01-29