

# CBT25J100R ✓ ACTIVE

Neohm | Neohm CBT

TE Internal #: 1625875-5

Neohm CBT, Through-Hole Resistors, Power Resistor, 6.3 x 2.4 mm, 2 Termination, Ammo Packed, 5 Passive Component Tolerance, Carbon Composition

[View on TE.com >](#)



Passive Components > Resistors > Through-Hole Resistors



Resistor Type: **Power Resistor**

Passive Component Dimensions: **6.3 x 2.4 mm**

Number of Terminations: **2**

Packaging Method: **Ammo Packed**

Passive Component Tolerance: **5 %**

## Features

### Product Type Features

Product Type	Fixed Resistor
Resistor Type	Power Resistor
Element Type	Carbon Composition

### Configuration Features

Number of Resistors	1
---------------------	---

### Electrical Characteristics

Voltage Rating	250 V
Passive Component Tolerance	5 %
Resistance Class	Up to 1k $\Omega$
Resistance Value	100 $\Omega$
Power Rating	.25 W

### Body Features

Passive Component Lead Type	Axial-Leaded
-----------------------------	--------------

### Termination Features

Number of Terminations	2
Passive Component Termination Material Type	Tinned Copper Leads

### Dimensions

Passive Component Dimensions	6.3 x 2.4 mm
------------------------------	--------------



**Usage Conditions**

Operating Temperature Range	-55 – 125 °C
Temperature Coefficient	-700 – 400 ppm/°C

**Packaging Features**

Packaging Method	Ammo Packed
------------------	-------------

**Product Compliance**

[For compliance documentation, visit the product page on TE.com>](#)

EU RoHS Directive 2011/65/EU	Compliant
EU ELV Directive 2000/53/EC	Compliant
China RoHS 2 Directive MIIT Order No 32, 2016	No Restricted Materials Above Threshold
EU REACH Regulation (EC) No. 1907/2006	Current ECHA Candidate List: JAN 2021 (211) Candidate List Declared Against: JAN 2021 (211) Does not contain REACH SVHC
Halogen Content	Low Halogen - Br, Cl, F, I < 900 ppm per homogenous material. Also BFR/CFR/PVC Free
Solder Process Capability	Wave solder capable to 265°C

Product Compliance Disclaimer

This information is provided based on reasonable inquiry of our suppliers and represents our current actual knowledge based on the information they provided. This information is subject to change. The part numbers that TE has identified as EU RoHS compliant have a maximum concentration of 0.1% by weight in homogenous materials for lead, hexavalent chromium, mercury, PBB, PBDE, DBP, BBP, DEHP, DIBP, and 0.01% for cadmium, or qualify for an exemption to these limits as defined in the Annexes of Directive 2011/65/EU (RoHS2). Finished electrical and electronic equipment products will be CE marked as required by Directive 2011/65/EU. Components may not be CE marked. Additionally, the part numbers that TE has identified as EU ELV compliant have a maximum concentration of 0.1% by weight in homogenous materials for lead, hexavalent chromium, and mercury, and 0.01% for cadmium, or qualify for an exemption to these limits as defined in the Annexes of Directive 2000/53/EC (ELV). Regarding the REACH Regulation, the information TE provides on SVHC in articles for this part number is based on the latest European Chemicals Agency (ECHA) 'Guidance on requirements for substances in articles' posted at this URL: <https://echa.europa.eu/guidance-documents/guidance-on-reach>

**Compatible Parts**



Also in the Series | **Neohm CBT**



Through-Hole Resistors(66)

## Customers Also Bought



TE Part #1-1393210-5  
PCB Power Relay: 30 Amp, Monostable DC



TE Part #1-1478963-0  
SMA PNL SKT RCPT, 2/FLNG GSS



TE Part #1-826629-6  
16X1 AMPMODU II HDR ST



TE Part #826936-3  
3P AMPMODU II STIFT LEI



TE Part #1-1625875-2  
CBT 1/4 5% 1K0



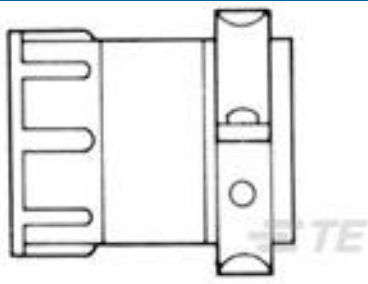
TE Part #1-2176083-4  
EP 5W (S) 1K5 5%



TE Part #1-1625875-9  
CBT 1/4 5% 220R



TE Part #1-1478903-0  
SMA STR PLG DS RG402 GSS



TE Part #1-206322-1  
CABLE CLAMP KIT, BULK PKG



TE Part #1-1415898-5  
RTS3TA05

## Documents

### Product Drawings

[CBT 1/4 5% 100R](#)

English

### CAD Files

[3D PDF](#)

3D

### Customer View Model

[ENG\\_CVM\\_CVM\\_1625875-5\\_A.2d\\_dxf.zip](#)



English

**Customer View Model**

[ENG\\_CVM\\_CVM\\_1625875-5\\_A.3d\\_igs.zip](#)

English

**Customer View Model**

[ENG\\_CVM\\_CVM\\_1625875-5\\_A.3d\\_stp.zip](#)

English

By downloading the CAD file I accept and agree to the [Terms and Conditions](#) of use.

---

### Datasheets & Catalog Pages

[1309350\\_PASSIVE\\_COMPONENT](#)

English

[4-1773460-6\\_RESISTIVE\\_SOLUTIONS\\_RAIL](#)

English

[Carbon Composition Resistors - Type CBT Series](#)

English

[8-1773459-4\\_POWER\\_FILTERING\\_AND\\_RESISTIVE\\_SOLUTIONS\\_FOR\\_ELEVATORS\\_AND\\_ESCALATORS](#)

English

---

### Product Environmental Compliance

[TE Material Declaration](#)

English