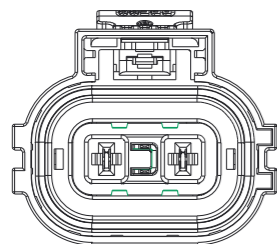


REV	ECN	DESCRIPTION	DATE	MODIFIED
B		PRE-RELEASE	2017.05.06	ROY.QU

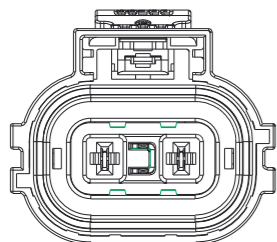
# CUSTOMER DRAWING

KEY A



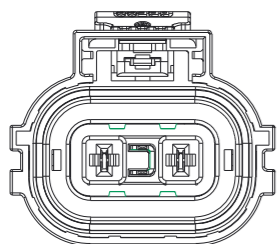
HVSL282062AXXXX

KEY B



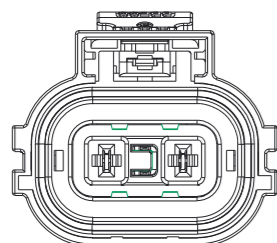
HVSL282062BXXXX

KEY C



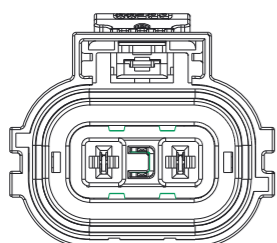
HVSL282062CXXXX

KEY D



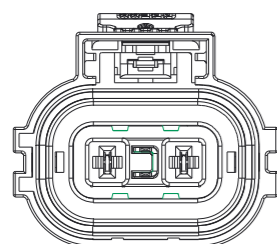
HVSL282062DXXXX

KEY E

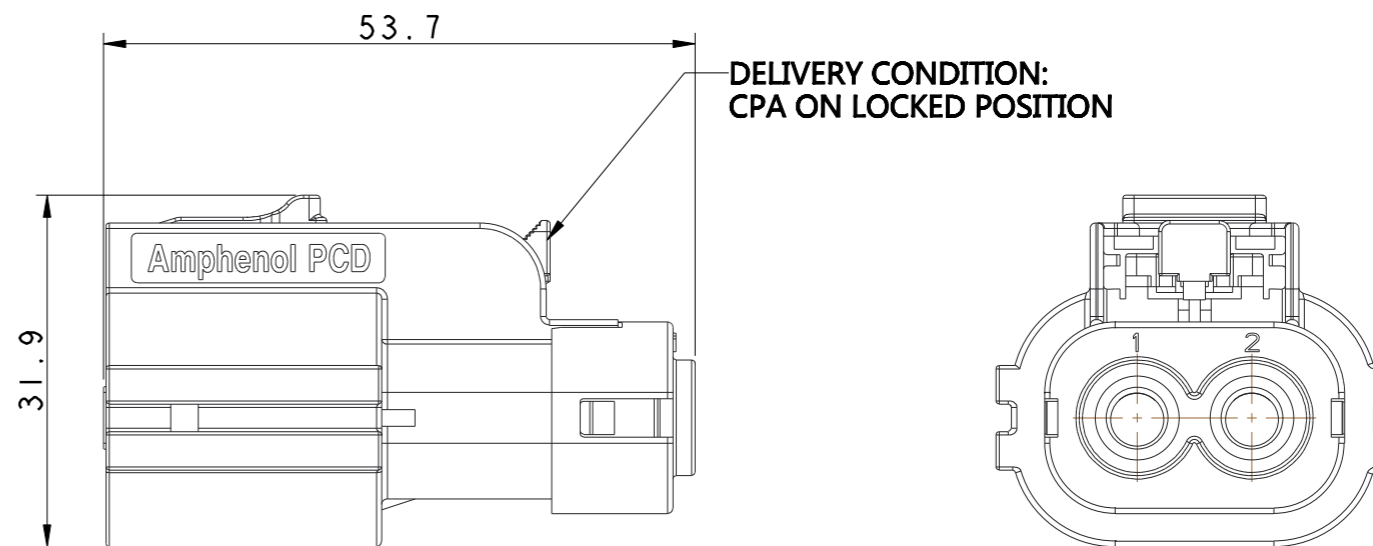
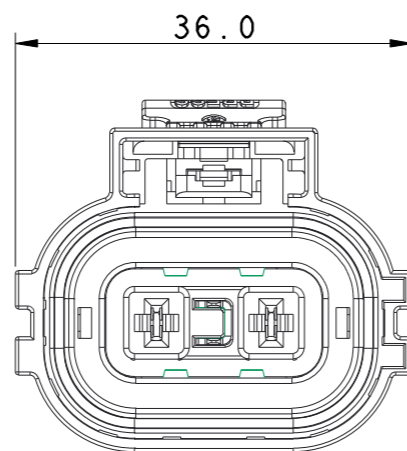


HVSL282062EXXXX

KEY F



HVSL282062FXXXX



SCOPE OF CABLE OUTSIDE DIAMETER	
SIZE	OUTSIDE DIAMETER
2.5~3 MM <sup>2</sup>	4.7~5.3 MM
4 MM <sup>2</sup>	5.1~5.7 MM

TECHNICAL DATA	
CURRENT RATE (3~4MM <sup>2</sup> SHIELD CABLE)	23A @ AMBIENT 70° C
CURRENT RATE (2.5MM <sup>2</sup> SHIELD CABLE)	16A @ AMBIENT 70° C
UL RATING VOLTAGE (OVERVOLTAGE CATEGORY II POLLUTION DEGREE 2)	800V DC
OPERATING TEMPERATURE	-40~125° C
DIELECTRIC WITH STANDING VOLTAGE	3000V AC
INSULATION RESISTANCE	2000MΩ MIN. 25° C, NO CABLE
DURABILITY	200 CYCLES
SHIELDING	YES
WATERPROOF(MATED CONDITION)	IP 67、IP6K9K
PROTECTION LEVEL	IP2XB
AMBIENT TEMPERATURE	-40~70° C

**HOW TO ORDER:**

PLUG DON'T INCLUDE CONTACT PIN,NEED TO BUY SEPARATE:

THE MAIN CONTACT:C310003612,USE LEVEL: 2PCS

HVSL 282 06 2X X XX X

A: KEY A  
B: KEY B  
C: KEY C  
D: KEY D  
E: KEY E  
F: KEY F

0: WITHOUT HVIL  
1: WITH HVIL

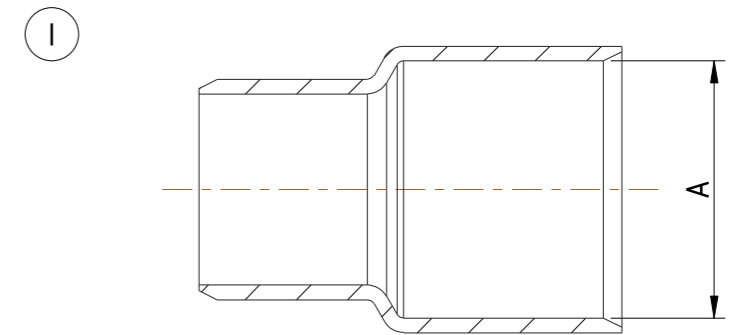
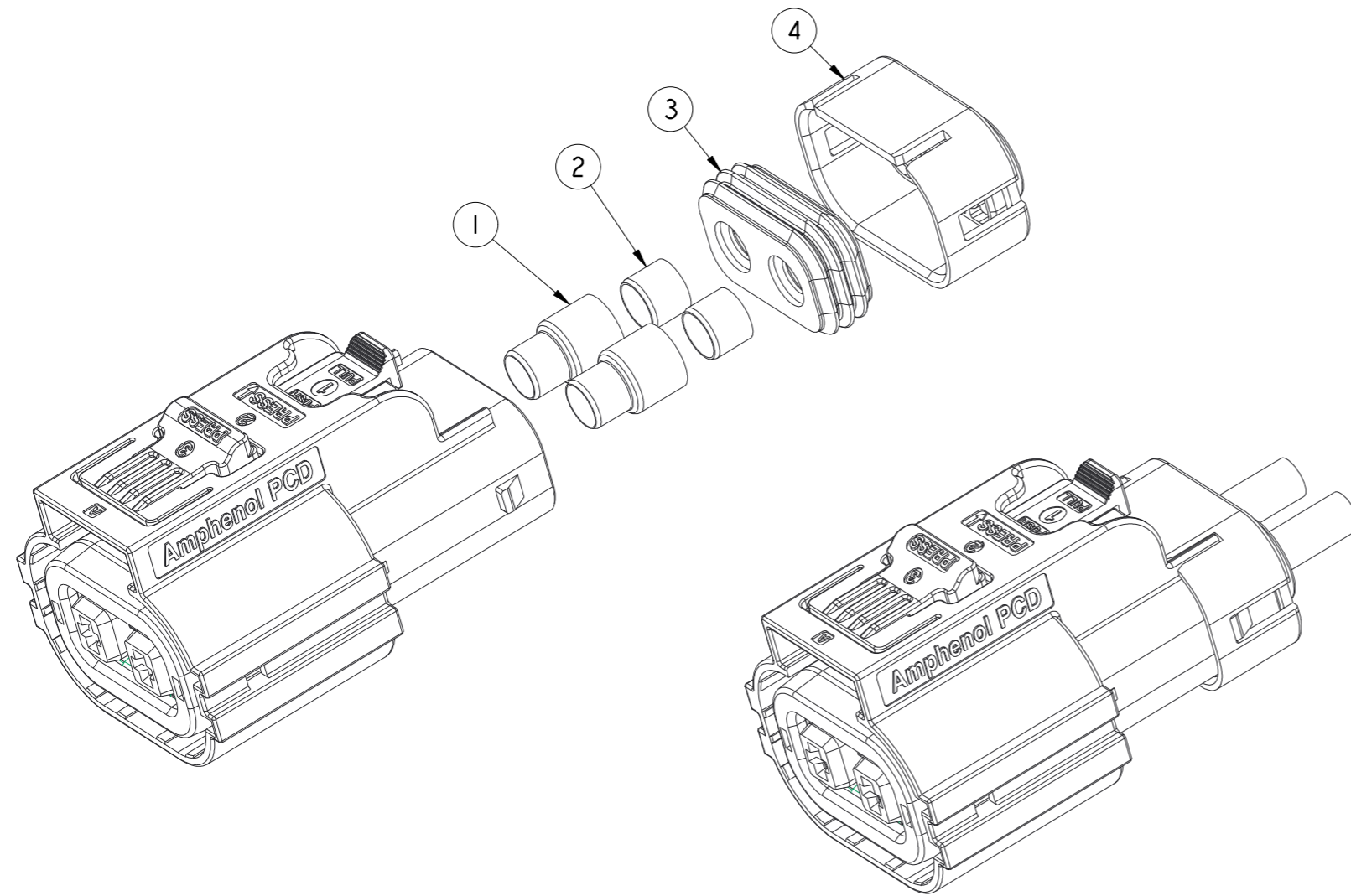
03: 2.5~3mm<sup>2</sup> SHIELDED CABLE  
04: 4.0mm<sup>2</sup> SHIELDED CABLE

I: SINGLE CORE SHIELDED CABLE  
M: MULTI-CORE SHIELDED CABLE

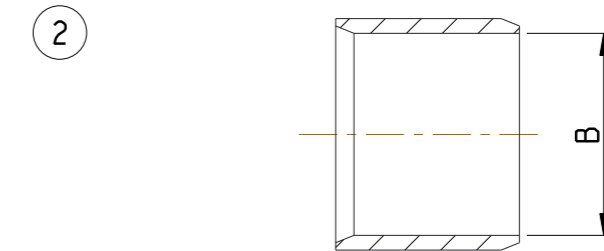
<b>DIMENSIONS</b> ANSI Y14.5M UNITS: MM Pro/E FILE	<b>TOLERANCES</b> .X ±0.5 .XX ±0.10 ANGLES ±0.5°	<b>PROJECTION</b> 	Amphenol Pcd Shenzhen ENGR ROY.QU      2017.05.06		TITLE <b>HVSL282 06 2 X X XX PLUG ASSEMBLY</b>		
			CHKD APPD	SIZE <b>A3</b>	DWG NO. <b>C-HVSL282062XXXXX</b>	REV <b>B</b>	
ORIGINAL NOT FOR CUSTOMER DISTRIBUTION		THIS DOCUMENT CONTAINS PROPRIETARY INFORMATION WHICH IS THE CONFIDENTIAL PROPERTY OF AMPHENOL PCD SHENZHEN			CODE: 58982	SCALE: 1:1	SHEET 1 OF 2

C-HVSL282062XXXXX

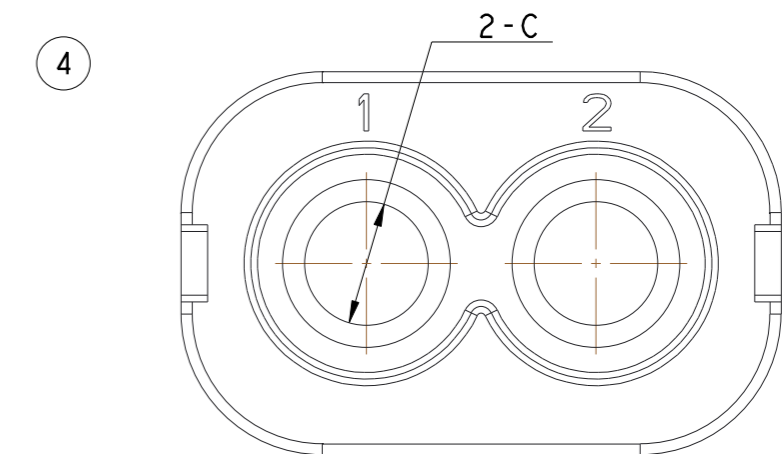
C-HVSL282062XXXXX



COMPONENT P/N	A
C3100036501	∅ 7.0±0.3
C3100036502	∅ 7.7±0.3



COMPONENT P/N	B
C2000036651	∅ 5.5±0.3
C2000036652	∅ 6.3±0.3



COMPONENT P/N	C
C2200039091	∅ 5.6±0.3
C2200039092	∅ 6.3±0.3

HVSL282062XX04X	4	C2200039092	1	4MM <sup>2</sup> SHIELD CABLE OD=∅ 5.1~∅ 5.7MM
	3	C2700036551	1	
	2	C2000036652	2	
	1	C3100036502	2	
HVSL282062XX03X	4	C2200039091	1	2.5~3.0MM <sup>2</sup> SHIELD CABLE OD=∅ 4.7~∅ 5.3MM
	3	C2700036552	1	
	2	C2000036651	2	
	1	C3100036501	2	
P/N	ITEM	COMPONENT P/N	QUANTITY	REMARK

SIZE	DWG NO.	REV
A3	C-HVSL282062XXXXX	B
CODE: 58982	SCALE: 1:1	SHEET 2 OF 2