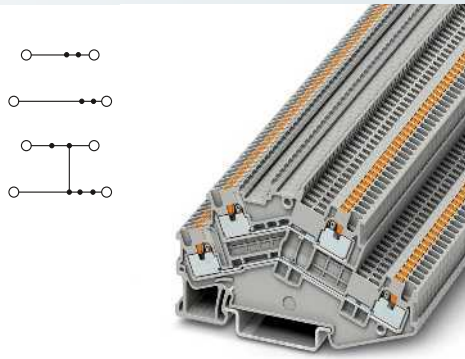


# Modular terminal blocks - CLIPLINE complete

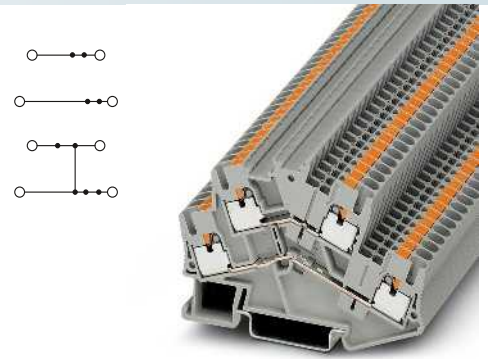
## PT push-in connection terminal blocks



2.5 (4) mm<sup>2</sup>, 28 A, feed-through terminal block, 4 connections



1.5 (1.5) mm<sup>2</sup>, 16 A, double-level terminal block



2.5 (4) mm<sup>2</sup>, 24 A, double-level terminal block



Technical data			
Width	Length	Height NS 35/7,5	
5.2	49	43	
$I_{max}$ [A]	$U_{max}$ [V]	max. Ø [mm <sup>2</sup> ]	AWG
28 <sup>1)</sup>	800	0.14 - 4	26 - 12
IEC 60947-7-1			
IEC	UL/CUL	CSA	IEC/EN 60079-7
800	600	600	-
24 <sup>1)</sup> / 2.5	20 / -	20 / -	-
2.5	-	-	-
26 - 12	26-12	26-12	-
solid	stranded	Ferrule	
Without / with plastic sleeve			
0.14 - 4	0.14 - 2.5	0.14 - 2.5	0.14 - 2.5
0.5			
0.34 - 4	-	0.34 - 2.5	0.34 - 2.5
10			
PA			
V0			

Technical data			
Width	Length	Height NS 35/7,5	
3.5	78.8	48.2	
$I_{max}$ [A]	$U_{max}$ [V]	max. Ø [mm <sup>2</sup> ]	AWG
16	500	0.14 - 1.5	26 - 14
IEC 60947-7-1			
IEC	UL/CUL	CSA	IEC/EN 60079-7
500	600	-	-
16 / 1.5	15 / -	-	-
1.5	-	-	-
26 - 14	26-14	-	-
solid	stranded	Ferrule	
Without / with plastic sleeve			
0.14 - 1.5	0.14 - 1.5	0.14 - 1.5	0.14 - 1
0.25 - 1.5	-	0.34 - 1.5	0.34 - 1
8			
PA			
V0			

Technical data			
Width	Length	Height NS 35/7,5	
5.2	78	55	
$I_{max}$ [A]	$U_{max}$ [V]	max. Ø [mm <sup>2</sup> ]	AWG
24	500	0.14 - 4	26 - 12
IEC 60947-7-1			
IEC	UL/CUL	CSA	IEC/EN 60079-7
500	600	600	-
22 / 2.5	20 / -	20 / -	-
2.5	-	-	-
26 - 12	26-12	26-12	-
solid	stranded	Ferrule	
Without / with plastic sleeve			
0.14 - 4	0.14 - 2.5	0.14 - 2.5	0.14 - 2.5
0.5			
0.34 - 4	-	0.34 - 2.5	0.34 - 2.5
10			
PA			
V0			

Ordering data		
Type	Order No.	Pcs. / Pkt.
PTS 2,5-QUATTRO	3211993	50
PTS 2,5-QUATTRO BU	3212002	50

Ordering data			
Type	$I_{max}$	Order No.	Pcs. / Pkt.
PTTBS 1,5/S		3214657	50
PTTBS 1,5/S BU		3214660	50
PTTBS 1,5/S-PV		3214686	50

Ordering data			
Type	$I_{max}$	Order No.	Pcs. / Pkt.
PTTBS 2,5		3209604	50
PTTBS 2,5 BU		3209617	50
PTTBS 2,5-PV		3210211	50

Accessories		
D-ST5 2,5	3031762	50
ISH 2,5/0,2	3002843	50
ISH 2,5/0,5	3002856	50
ISH 2,5/1,0	3002869	50
ATP-QTC		
	3206209	50
SZF 1-0,6X3,5		
	1204517	10

Accessories			
D-PTTBS 1,5/S		3214699	50
FBS 2-3,5	17.5 A	3213014	50
FBS 3-3,5	17.5 A	3213027	50
FBS 4-3,5	17.5 A	3213030	50
FBS 5-3,5	17.5 A	3213043	50
FBS 10-3,5	17.5 A	3213056	50
FBS 20-3,5	17.5 A	3213069	50
FBS 1,5/S-PV			
		3216263	10
ATP-STTB 4			
		3030747	50
MPS-MT			
		0201744	10
MPS-IH RD			
		0201676	10
PS-5			
		3030983	10
SZF 0-0,4X2,5			
		1204504	10

Accessories			
D-STTBS 2,5		3038503	50
ISH 2,5/0,2		3002843	50
ISH 2,5/0,5		3002856	50
ISH 2,5/1,0		3002869	50
FBS 2-5	20 A	3030161	50
FBS 3-5	20 A	3030174	50
FBS 4-5	20 A	3030187	50
FBS 5-5	20 A	3030190	50
FBS 10-5	20 A	3030213	10
FBS 20-5	20 A	3030226	10
FBS-PV			
		3032185	50
ATP-STTB 4			
		3030747	50
PAI-4-N GY			
		3032871	10
MPS-MT			
		0201744	10
MPS-IH RD			
		0201676	10
PS-5			
		3030983	10
SZF 1-0,6X3,5			
		1204517	10

UC-TM 5, UCT-TM 5 or ZB 5  
(see Catalog 5)  
UC-TMF 5, UCT-TMF 5 or ZBF 5  
(see Catalog 5)

UCT-TM 3,5 or ZB 3,5  
(see Catalog 5)  
UCT-TMF 3,5 or ZBF 3,5  
(see Catalog 5)

UC-TM 5, UCT-TM 5 or ZB 5  
(see Catalog 5)  
UC-TMF 5, UCT-TMF 5 or ZBF 5  
(see Catalog 5)