

MATERIAL

Hardened and black-oxide steel.

FEATURES AND APPLICATIONS

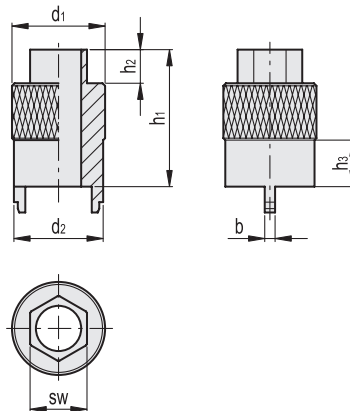
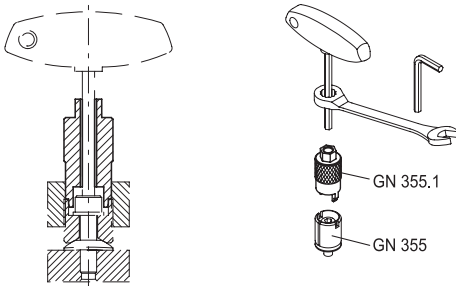
GN 355.1 assembly tools are used for the adjustment of levelling elements GN 355 (see page 880), usually in combination with an allen key for the tightening of the cylindrical-head screw with hexagon socket of the tool.

To facilitate adjustment, the upper end of the tool has an external hexagonal head that is used for tightening.

Use the assembly tool for adjusting the positioning of the body of the levelling element and tighten the screw until you have reached the desired position, then tighten the fixing of the levelling element.



Application example



Code	Description	d1	d2	h1	h2	h3	b	sw	Max. torque [Nm]	
GN.21351	GN 355.1-12	12	11	35	7	6	2	8	20	22
GN.21353	GN 355.1-18	18	17	39	8	9	2	11	50	57
GN.21355	GN 355.1-24	24	22.5	43	9	12	4	13	75	68
GN.21357	GN 355.1-30	30	28.5	48	11	15	4	17	100	155
GN.21359	GN 355.1-36	36	34.5	53	13	18	4	22	150	255

