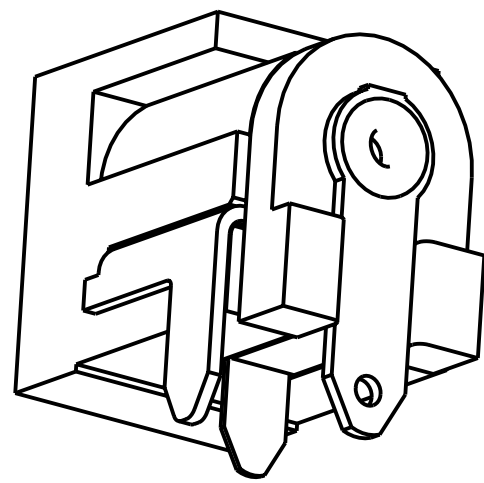
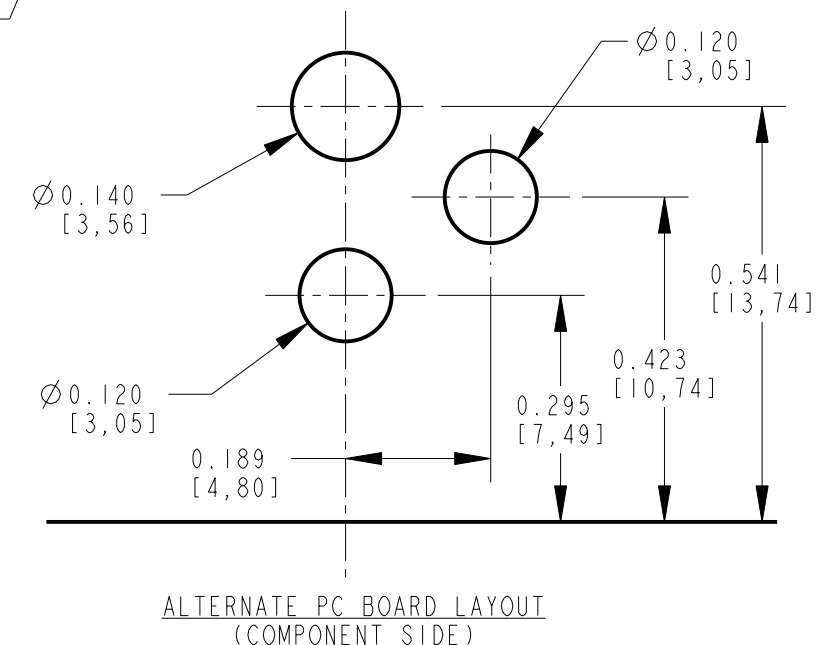
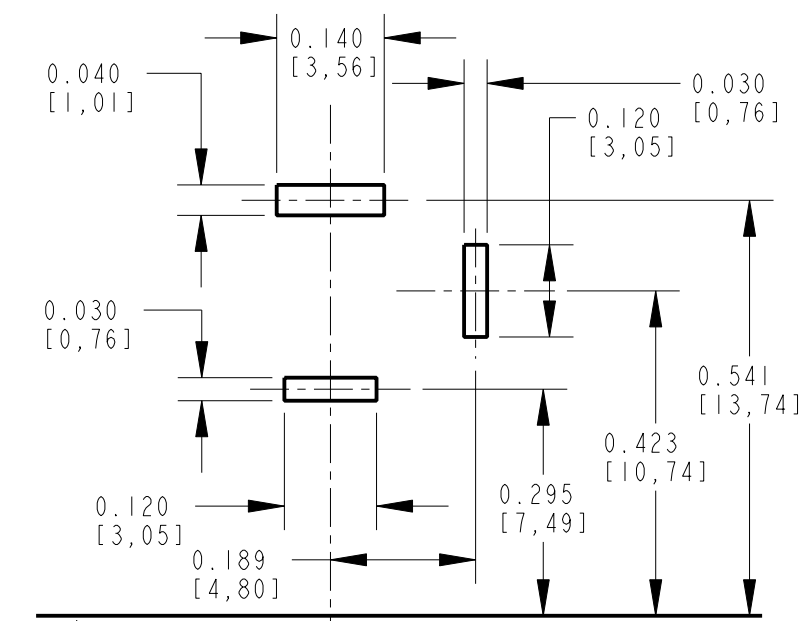
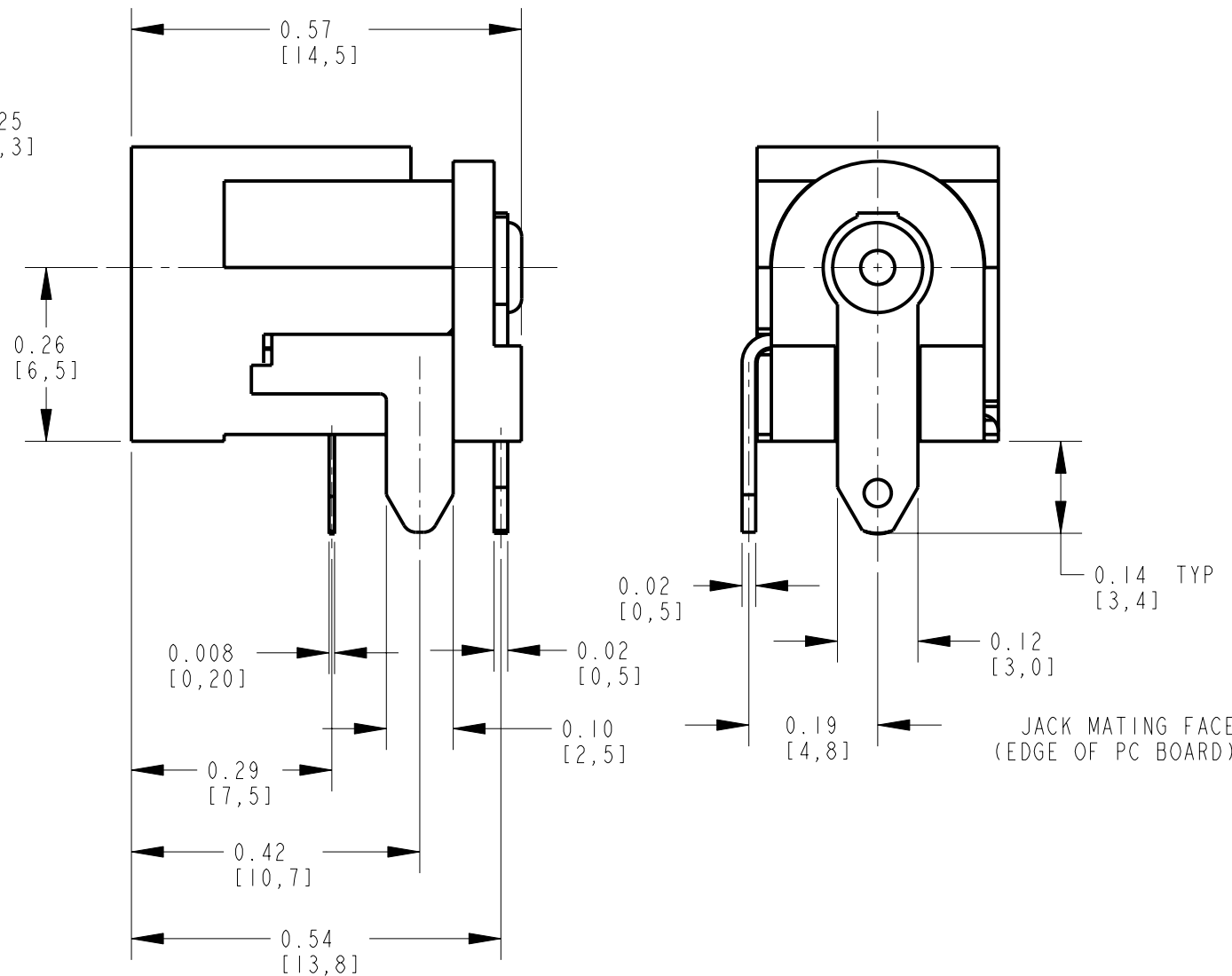
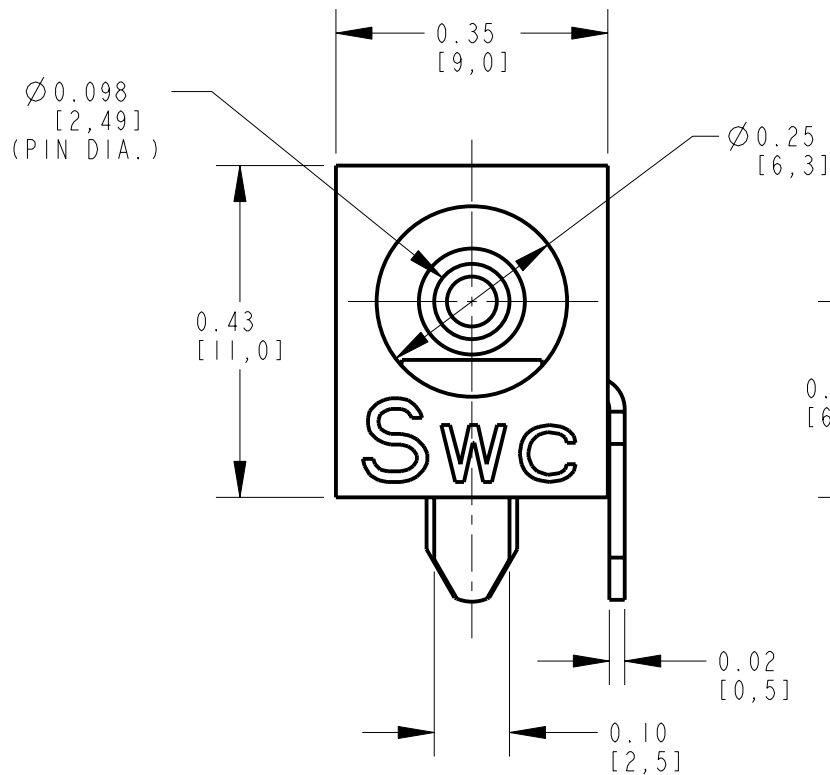


DC Power Connectors

Order code	Manufacturer code	Description
20-0962	RAPC712	PCB DC POWER SOCKET 2.5MM (RC)

DC Power Connectors	Page 1 of 2
The enclosed information is believed to be correct, Information may change 'without notice' due to product improvement. Users should ensure that the product is suitable for their use. E. & O. E.	Revision A 04/07/2003



MATERIALS:

HOUSING AND COVER: HIGH GRADE THERMOPLASTIC, UL94V-0 RATED, COLOR BLACK;
 CENTER PIN: BRASS, NICKEL PLATED PER QQ-N-290, CLASS 1;
 PIN AND SHUNT TERMINALS: BRASS, SILVER PLATED PER QQ-S-365,
 SLEEVE SPRING: SPRING COPPER ALLOY, SILVER PLATED PER QQ-S-365,

SPECIFICATIONS:

LIFE: 5000 CYCLES;
 INSERTION FORCE: 5 LB [2.3 KG] MAX;
 WITHDRAWAL FORCE: 0.5 LB [0.2 KG] MIN;
 CONTACT RESISTANCE: 30 MILLIOHM MAX, 60 MILLIOHM MAX. AFTER TEST;
 INSULATION RESISTANCE: 30 MEGAOHM MIN. @ 100VDC;
 DIELECTRIC WITHSTANDING VOLTAGE: 250VAC FOR 1 MINUTE;
 CURRENT (CARRYING): 5A

CUSTOMER DRAWING

REV	ECO NUMBER	DATE	BY	APVD
G	22891	6-15-99	TJK	TJK
F	21359	9-18-96	SG	MA
E	21077	8-28-96	DA	MA
D	20441	11-8-95	MA	MA
REVISIONS				

★ STAR SYMBOL DENOTES CRITICAL DIMENSION

UNLESS OTHERWISE SPECIFIED

1. ALL DIMENSIONS IN INCHES
 - TWO PLACE DECIMALS ±0.01
 - THREE PLACE DECIMALS ±0.005
 - FRACTIONAL DIMENSIONS ±1/64
 - ANGLES ±1°
 - ALL DIA. CONCENTRIC WITHIN 0.005 T.I.R.

2. FEATURES ON THE SAME CENTERLINE MUST BE ALIGNED WITHIN ±0.002

3. REMOVE ALL BURRS

DO NOT SCALE DRAWING

THIS DRAWING DESCRIBES A DESIGN CONSIDERED PROPRIETARY IN NATURE, DEVELOPED AND MANUFACTURED BY SWITCHCRAFT INC. AND IS RELEASED ON A CONFIDENTIAL BASIS FOR IDENTIFICATION PURPOSES ONLY.									
SIZE	WIDTH	MULT	LBS/M	TEMPER					
FINISH					MATERIAL				
SPEC No.					SPEC No.				
FIRST USED ON					SCALE				
					4:1				
DATE DRAWN	BY	CHKD	APVD	Switchcraft®					
4-27-95	MA	SG	MA	SHEET 1 OF 1					
NAME				PART No.				REV	
POWER JACK, PC MOUNT				RAPC712				G	
0.10 [2,5mm] PIN									