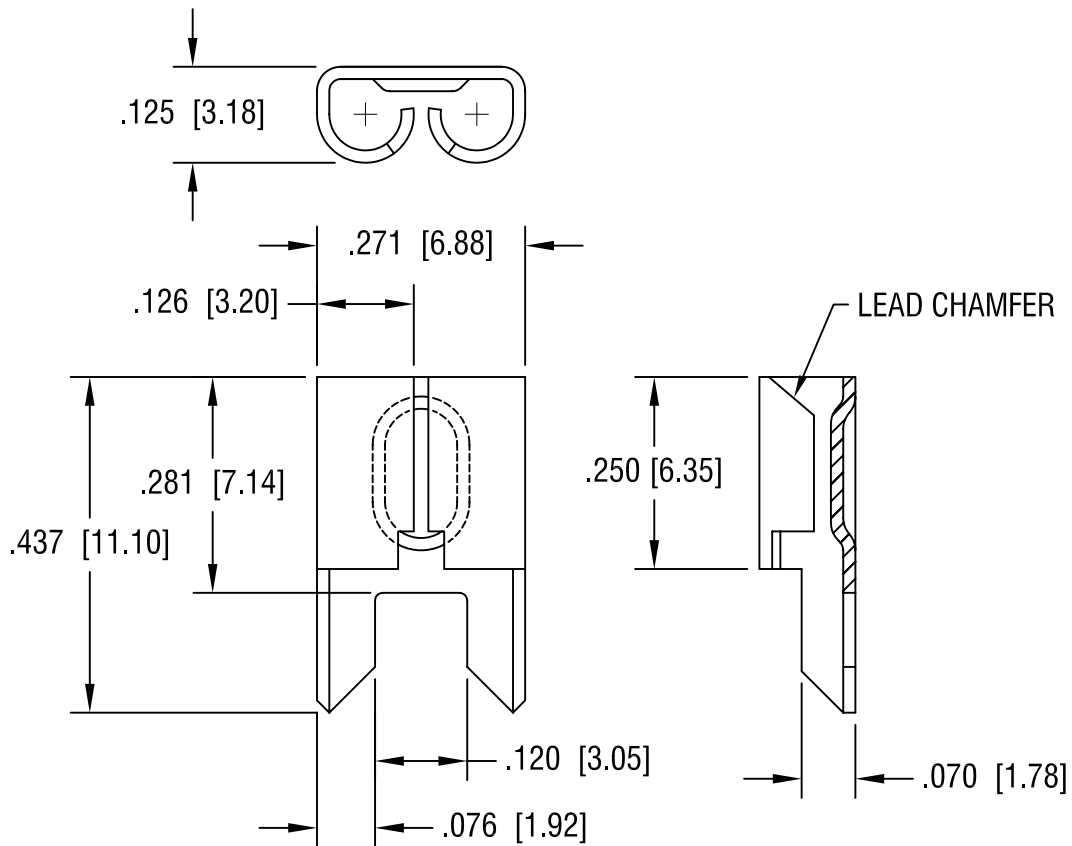
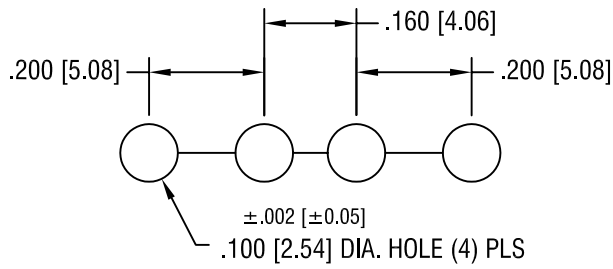


THIS DOCUMENT IS THE PROPERTY OF
KEYSTONE ELECTRONICS CORP. AND
SHALL NOT BE REPRODUCED, DISTRIBUTED
OR USED AS A BASIS FOR MANUFACTURE
WITHOUT PRIOR WRITTEN PERMISSION
FROM KEYSTONE ELECTRONICS CORP.

MOUNTING LAYOUT FOR TWO CLIPS



| | | |
|---------|--------------------------|------|
| 7.12.06 | CHANGE AS PER ECN 06-041 | G |
| 8.18.04 | CHANGE AS PER ECN 04-064 | F |
| 8.21.03 | CHANGE AS PER ECN 03-057 | E |
| DATE | DESCRIPTION | REV. |

| | | | |
|-----------------------------------|------------------|------------------------|-------------|
| KEYSTONE ELECTRONICS CORP. | | | |
| ASTORIA, N.Y. 11105-2017 | | | |
| PART NAME | | PC AUTO FUSE CLIP | |
| MATERIAL | | .016 [0.40] TH'K BRASS | |
| FINISH | TIN NICKEL PLATE | DRN BY | BOONE |
| | | APP'D | LN |
| | | DATE | 11.14.90 |
| | | SCALE | 4X |
| TOLERANCES | INCH [MM] | CODE | DWG NO. |
| DECIMAL | ± .005 [± 0.15] | C | 3522 |
| ANGULAR | ± 1° | | |
| UNLESS OTHERWISE SPECIFIED | | | |