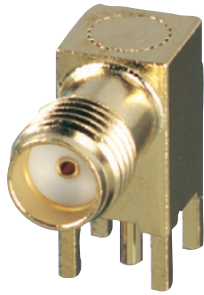


19-46-1-TGG Straight SMA PCB Jack (SMA Connector)

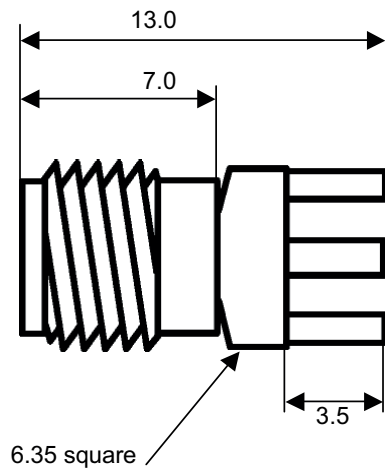
Elbow: **16-1562**
Straight: **16-1560**



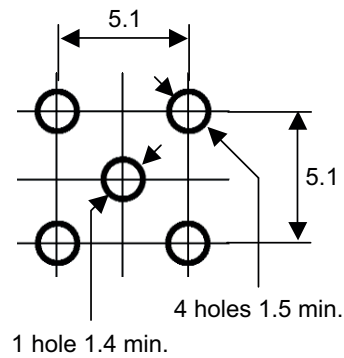
Straight



Elbow



Physical Dimensions



Mounting Holes

