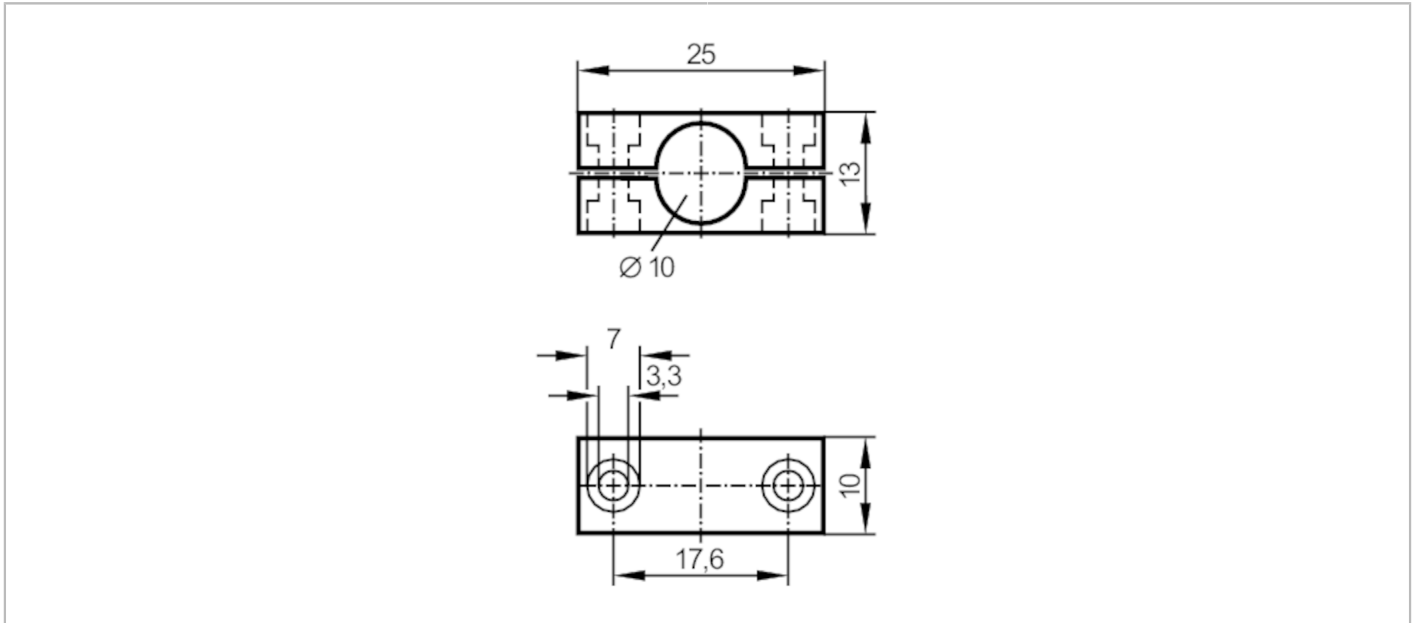


E20353



Mounting clamp for fibre optics

MOUNTING CLAMP 10 MM



Application

Design for fibre optics

Mechanical data

Weight	[g]	18.5
Dimensions	[mm]	13 x 25 x 10
Inside diameter	[mm]	10
Materials		PBT

Accessories

Accessories (supplied) cylinder screws: 2 x M3

Remarks

Pack quantity 1 pcs.