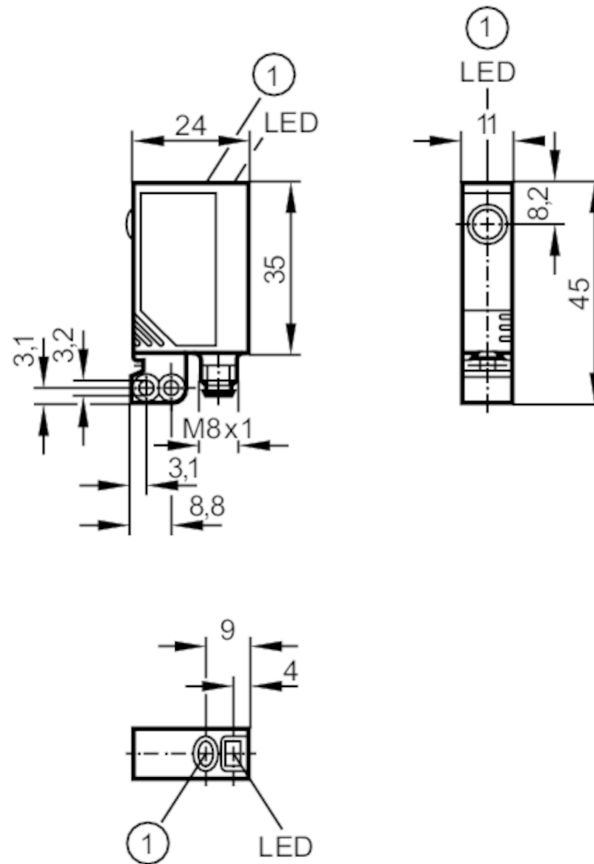




Through-beam laser sensor transmitter

OJSLOOKG/SO/IAS



1 pushbutton



Product characteristics

Type of light	red light
Laser protection class	1
Housing	rectangular
Dimensions [mm]	35 x 11 x 24

Application

Function principle	Through-beam sensor
--------------------	---------------------

Electrical data

Operating voltage [V]	10...30 DC
Current consumption [mA]	< 12
Protection class	III
Reverse polarity protection	yes
Type of light	red light
Wave length [nm]	650
Typ. lifetime [h]	50000

OJ5038



Through-beam laser sensor transmitter

OJSLOOKG/SO/AS

Outputs		
Overload protection	yes	
Detection zone		
Transmitter / receiver	transmitter	
Range [m]	< 15	
Range adjustable	no	
Max. light spot diameter [mm]	24	
Light spot dimensions refer to	at maximum range	
Operating conditions		
Ambient temperature [°C]	-10...60	
Protection	IP 67	
Tests / approvals		
EMC	EN 60947-5-2	
Laser protection class	1	
Notes on laser protection	Caution: laser class:	laser light 1
		EN / IEC60825-1:2007
		EN / IEC60825-1:2014
		Complies with 21 CFR 1040 except for deviations pursuant to Laser Notice No. 50, dated June 2007.
MTTF [years]	918	
Mechanical data		
Weight [g]	42.6	
Housing	rectangular	
Dimensions [mm]	35 x 11 x 24	
Materials	housing: ABS; fixture: diecast zinc; LED window: SEPS; pushbutton: SEPS	
Lens material	glass	
Lens alignment	side lens	
Displays / operating elements		
Display	operation 1 x LED, green	
Accessories		
Accessories (supplied)	Basic clip: 1 x, E20964	
	screws: 2 x x M3 x 16	
	spring washers: 2 x	
	Nuts: 2 x	
Remarks		
Remarks	operating voltage "supply class 2" according to cULus	
Pack quantity	1 pcs.	
Electrical connection		
Connector: 1 x M8		

OJ5038



Through-beam laser sensor transmitter

OJSLOOKG/SO/AS



Connection

