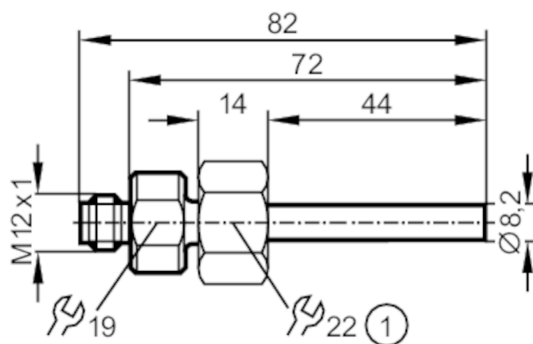


SF5200



Flow sensor for connection to an evaluation unit

SFD10ADB /JS-100



1 Internal thread M18 x 1,5



Product characteristics

Probe length L	[mm]	45
Process connection		M18 x 1,5 internal thread

Application

Application		high-temperature range
Media		Liquids; Gases
Medium temperature	[°C]	-25...80
Pressure rating	[bar]	300

Electrical data

Connection to control monitor		VS3000
-------------------------------	--	--------

Measuring/setting range

Probe length L	[mm]	45
Liquids		
Setting range	[cm/s]	3...300
Greatest sensitivity	[cm/s]	3...60
Gases		
Setting range	[cm/s]	200...3000
Greatest sensitivity	[cm/s]	200...800

Accuracy / deviations

Temperature gradient	[K/min]	300
----------------------	---------	-----

Response times

Response time	[s]	1...10
---------------	-----	--------

Operating conditions

Protection		IP 67
------------	--	-------

Tests / approvals

Shock resistance		DIN IEC 68-2-27	40 g (11 ms)
Vibration resistance		DIN IEC 68-2-6	10 g (55...2000 Hz)
MTTF	[years]		8213

SF5200



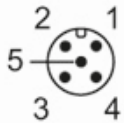
Flow sensor for connection to an evaluation unit

SFD10ADB /JS-100

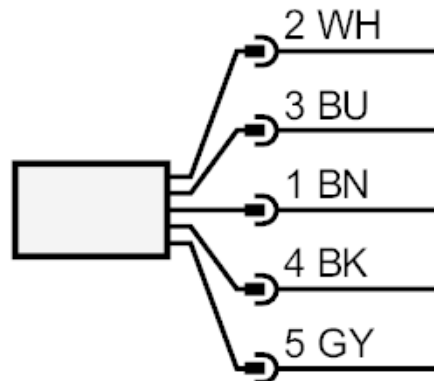
Mechanical data	
Weight [g]	88.5
Housing	for adapter
Dimensions [mm]	M18 x 1.5
Thread designation	M18 x 1.5
Materials	stainless steel (1.4404 / 316L)
Materials (wetted parts)	stainless steel (1.4404 / 316L); O-ring: FKM 80 Shore A
Process connection	M18 x 1,5 internal thread
Remarks	
Pack quantity	1 pcs.

Electrical connection

Connector: 1 x M12; Maximum cable length: 100 m



Connection



	Core colours :
BN =	brown
BU =	blue
BK =	black
WH =	white
GY =	grey