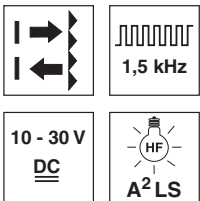


PRK 8

Retro-reflective photoelectric sensors with autocollimation

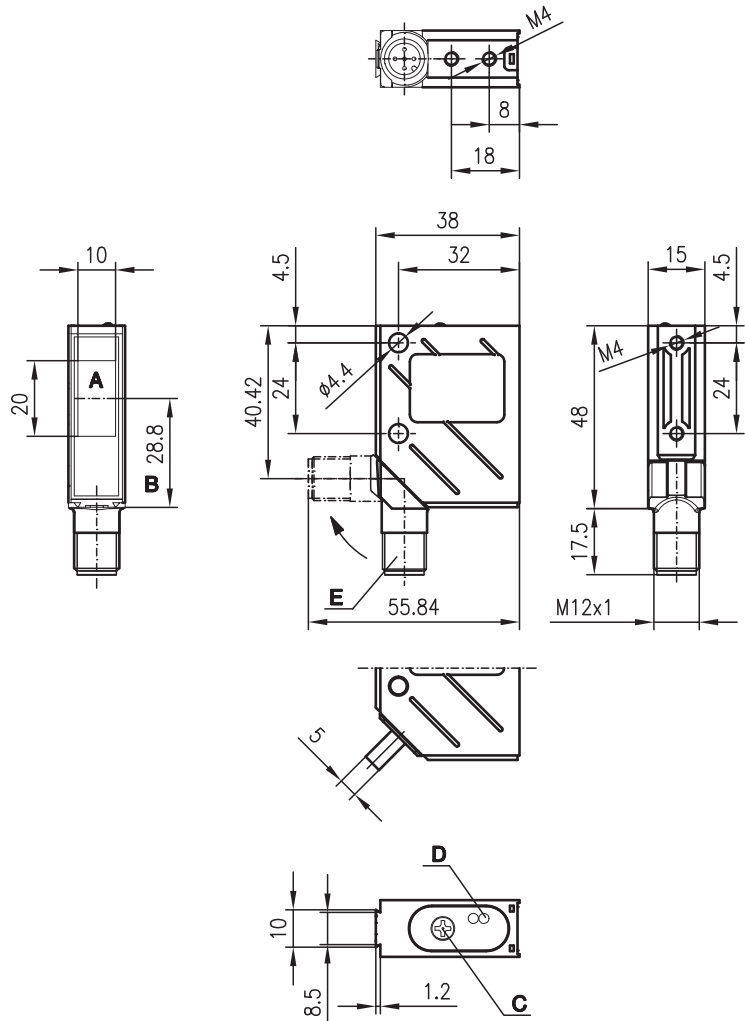
en 06-2014/04 50125969



0 ... 7m

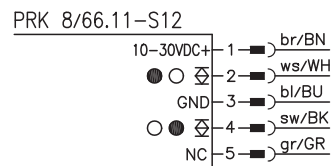
- The autocollimation principle used ensures that the device functions reliably over the entire range (0 ... max.)
- A²LS - active suppression of extraneous light
- Push-pull switching outputs
- M12 turning connector or cable connection
- Visible red light

Dimensioned drawing



- A** Transmitter/receiver
- B** Optical axis
- C** Operational control
- D** LED yellow
- E** 90° turning connector

Electrical connection

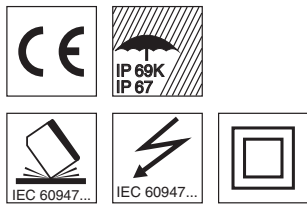


Accessories:

(available separately)

- M12 connectors (KD ...)
- Ready-made cables (K-D ...)
- Mounting systems
- Reflectors
- Reflective tapes
- Control guard

We reserve the right to make changes • DS_PRK8_6611_en_50125969.fm



Specifications

Optical data

Typ. operating range limit (TK(S) 100x100) ¹⁾ 0 ... 7m
 Operating range ²⁾ see tables
 Light source LED (modulated light)
 Wavelength 660nm (visible red light)

Timing

Switching frequency 1500Hz
 Response time 0.33ms
 Delay before start-up ≤ 100ms

Electrical data

Operating voltage U_B 10 ... 30VDC
 Residual ripple ≤ 15% of U_B
 Bias current ≤ 35mA
 Switching output/function 2 push-pull switching outputs ³⁾
 pin 2: PNP dark switching, NPN light switching
 pin 4: PNP light switching, NPN dark switching
 $\geq (U_B - 2V) / \leq 2V$
 max. 100mA
 adjustable with 12-turn potentiometer

Signal voltage high/low
 Output current
 Sensitivity

Indicators

LED yellow light path free
 LED yellow flashing light path free, no performance reserve

Mechanical data

Housing metal
 Optics cover glass
 Weight (plug/cable) 70g/140g
 Connection type M12 connector, 5-pin (turning)

Environmental data

Ambient temp. (operation/storage) -40°C ... +60°C / -40°C ... +70°C
 Protective circuit ⁴⁾ 2, 3
 VDE safety class ⁵⁾ II, all-insulated
 Protection class ⁶⁾ IP 67, IP 69K ⁷⁾
 Light source free group (in acc. with EN 62471)
 Standards applied IEC 60947-5-2

- 1) Typ. operating range limit: max. attainable range without performance reserve
- 2) Operating range: recommended range with performance reserve
- 3) The push-pull switching outputs must not be connected in parallel
- 4) 2=polarity reversal protection, 3=short-circuit protection for all outputs
- 5) Rating voltage 250VAC
- 6) In stop position of the turning connector (turning connector locked)
- 7) IP 69K test acc. to DIN 40050 part 9 simulated, high pressure cleaning conditions without the use of additives, acids and bases are not part of the test

Tables

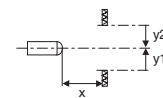
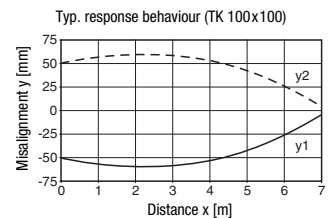
Reflectors		Operating range	
1	TK(S) 100x100	0 ... 5.0m	
2	MTK(S) 50x50.1	0 ... 3.0m	
3	TK(S) 30x50	0 ... 2.0m	
4	TK(S) 20x40	0 ... 1.5m	
5	Tape 6 50x50	0 ... 2.0m	

1	0	5.0	7.0
2	0	3.0	3.6
3	0	2.0	2.4
4	0	1.5	2.0
5	0	2.0	2.4

□ Operating range [m]
 ▒ Typ. operating range limit [m]

TK ... = adhesive
 TKS ... = screw type
 Tape 2 = adhesive

Diagrams



Order guide

	Designation	Part No.
With M12 connector	PRK 8/66.11-S12	50037133

Remarks

- **Approved purpose:**
 This product may only be used by qualified personnel and must only be used for the approved purpose. This sensor is not a safety sensor and is not to be used for the protection of persons.