

MOTOR SUPPRESSOR

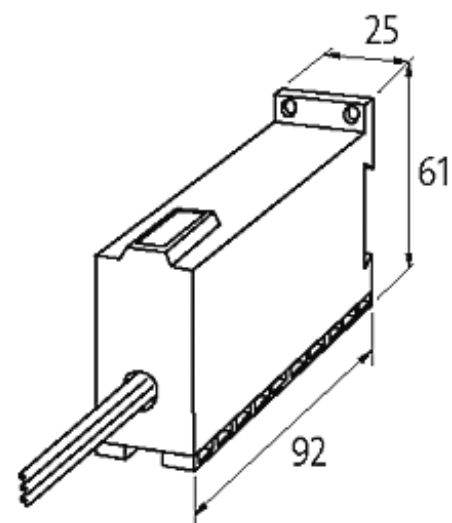
Varistor, 3x575VAC/20kW

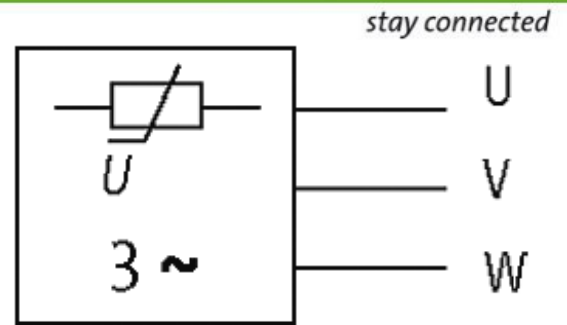
3 × 575 V AC
VDR

For DIN-rail mounting use 2 × Art.- No. 20900 adapter feet Suppressors for other voltages, frequencies, and motor ratings available on request. Do not use RC motor suppressors with frequency inverters.

[Link to Product](#)

Illustration





VDR

Product may differ from Image

Technical Data

| | |
|------------------|---|
| Material | Flame retardant plastic acc. to (UL 94) |
| Potting compound | 2-component epoxy |
| Frequency | 10...400 Hz |

General data

| | |
|----------------------|--|
| Connection | approx. 500 mm, single cores 1 mm ² |
| Temperature range | -20...+60 °C |
| Dimensions H × W × D | 92×61×25 mm |

Commercial data

| | |
|------------------------|----------|
| country of origin | CZ |
| customs tariff number | 85363010 |
| minimum order quantity | 1 |