

## MST 1-PHASE CONTROL AND ISOLATION TRANSFORMER

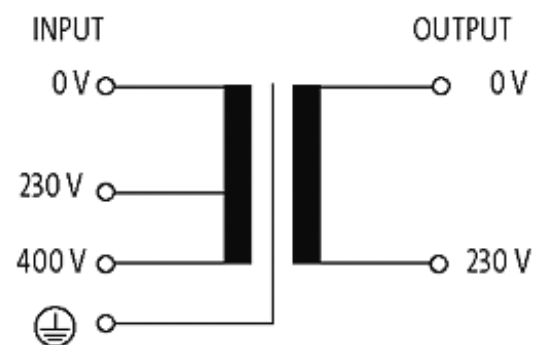
P: 500VA IN: 230/400VAC OUT: 230VAC

Single-phase - Control and Isolation Transformers  
 500 VA  
 Isolation class T 40/B  
 Spring clamp terminals

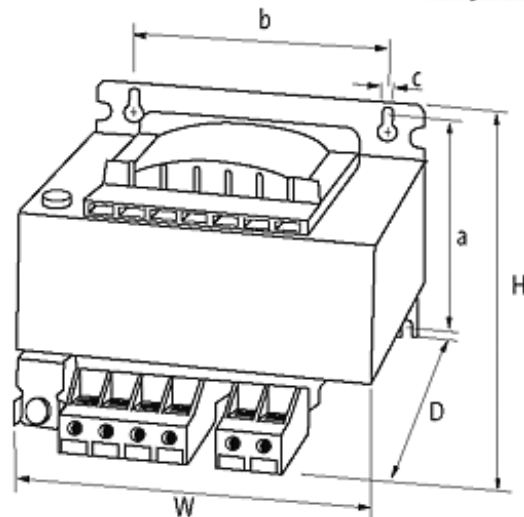
Other voltages on request.

### [Link to Product](#)

#### Illustration



stay connected



Product may differ from Image

### Approvals



### Input

Input voltage	230/400 V AC
Frequency	50...60 Hz
Input current	2.4 A (230 V AC); 1.4 A (400 V AC)
Inrush current	28.1 A (230 V AC); 16.3 A (400 V AC)
Short-circuit current	54 A (230 V AC); 31.2 A (400 V AC)

### General data

Standards	(EN 61558-1), (EN 61558-2-4), (EN 62041 category 0)
Test isolation voltage	4 kV (prim./sec.)
Mounting method	Key-hole mounting
Temperature range	-20...+40 °C, no condensation
Dimensions H × W × D	108×135×133.6 mm
Fixing centers a × b × c	87×104×5.8 mm
Drill hole Ø	5.8×10 mm

### Output

Output voltage	230 V AC
----------------	----------

### Commercial data

country of origin	CZ
customs tariff number	85043180
minimum order quantity	1