

## EMPARRO CAP BUFFER MODULE

IN: 24VDC OUT: 24VDC/20A for max. 1A/40s

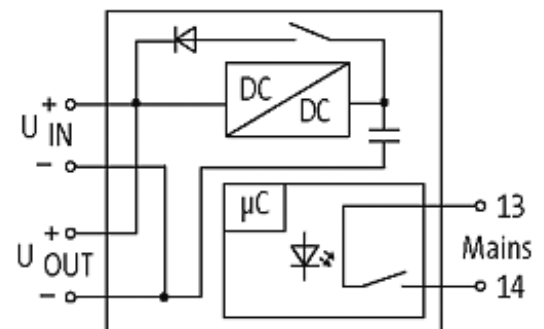
INPUT: 24 V DC (SELV/PELV)

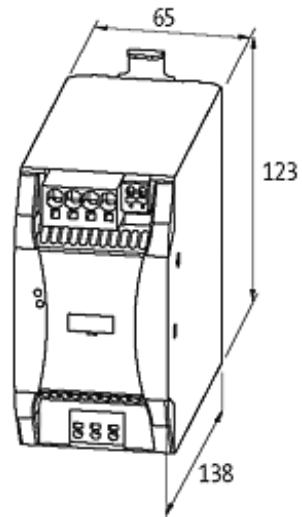
OUTPUT: max. 20 A

Buffer time: 1.0 s

### [Link to Product](#)

#### Illustration





Product may differ from Image

### Approvals



### Input

Input voltage	21.6...26.4 V DC
Input current	20 A
Inrush current	max. 25 A
Loading time	max. 75 s
Loading current	max. 3 A

### General data

Standards	(EN 61000-6-2), (EN 61000-6-4)
Dimensions H x W x D	123x65x138 mm
Mounting method	DIN-rail mountable TH35-7.5/TH35-15 (EN 60715)
Efficiency	min. 90 %
Temperature range	-40...+60 °C (storage temperature -40...+60 °C)

### Output

Output voltage	25.5...19 V DC $\pm 2$ %
Output current	max. 20 A
Current limit	65 A
Buffer time	1.0 s (20 A); 40 s (1 A)

### Commercial data

country of origin	DE
customs tariff number	85322900
minimum order quantity	1