

PUSH-IN LUG SIZE S00/S0



General technical data:

product brand name		SIRIUS
Product designation		push-in lugs
Design of the product		push-in lugs
Ambient temperature		
• during operation	°C	-20 ... +70
• during storage	°C	-50 ... +80

Installation/ mounting/ dimensions:

Mounting type		clip-on
Width	mm	10
Height	mm	27
Depth	mm	4.7

Certificates/ approvals:

Certificate of suitability		CE / UL / CSA / CCC
-----------------------------------	--	---------------------

Declaration of Conformity	Test Certificates	Shipping Approval
---------------------------	-------------------	-------------------



EG-Konf.

[Type Test Certificates/Test Report](#)

[Special Test Certificate](#)



ABS



BUREAU VERITAS



DNV

Shipping Approval	other
-------------------	-------



GL



LRS



PRS



RINA



RMRS

[Confirmation](#)

other

[Environmental Confirmations](#)



VDE

[other](#)

Further information

Information- and Downloadcenter (Catalogs, Brochures,...)

<http://www.siemens.com/industrial-controls/catalogs>

Industry Mall (Online ordering system)

<http://www.siemens.com/industrymall>

Cax online generator

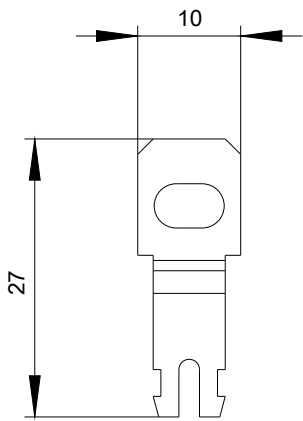
<http://support.automation.siemens.com/WW/CAXorder/default.aspx?lang=en&mlfb=3RV29280B>

Service&Support (Manuals, Certificates, Characteristics, FAQs,...)

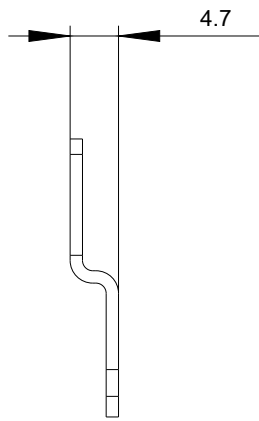
<http://support.automation.siemens.com/WW/view/en/3RV29280B/all>

Image database (product images, 2D dimension drawings, 3D models, device circuit diagrams, EPLAN macros, ...)

<http://www.automation.siemens.com/bilddb/index.aspx?attID9=3RV29280B&lang=en>



last modified:



09.03.2015