

ALPHA 400-ZS N/PE TERMINAL 16-POLE, 2 X
25SQMM SCREW TER. 14 X 6SQMM PLUG-IN
TERMINAL, HORIZONTAL INSTALL. OR VERTICALLY
ON BUSBAR, COLOR BLUE/GREEN



Accessories

accessories

others

General Product Approval



Further information

Information- and Downloadcenter (Catalogs, Brochures,...)

<http://www.siemens.com/lowvoltage/catalogs>

Industry Mall (Online ordering system)

<https://eb.automation.siemens.com/mall/en/WW/Catalog/Product/8GS40343>

Service&Support (Manuals, Certificates, Characteristics, FAQs,...)

<http://support.automation.siemens.com/WW/view/en/8GS40343/all>

Image database (product images, 2D dimension drawings, 3D models, device circuit diagrams, ...)

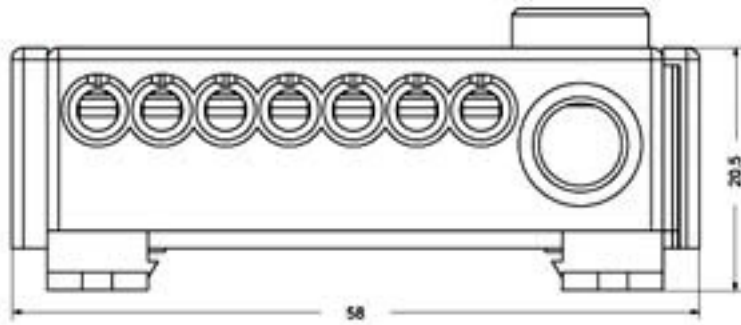
http://www.automation.siemens.com/bilddb/cax_en.aspx?mlfb=8GS40343

CAX-Online-Generator

<http://www.siemens.com/cax>

Tender specifications

<http://ausschreibungstexte.siemens.com/tiplv>



last modified:

11.03.2015